

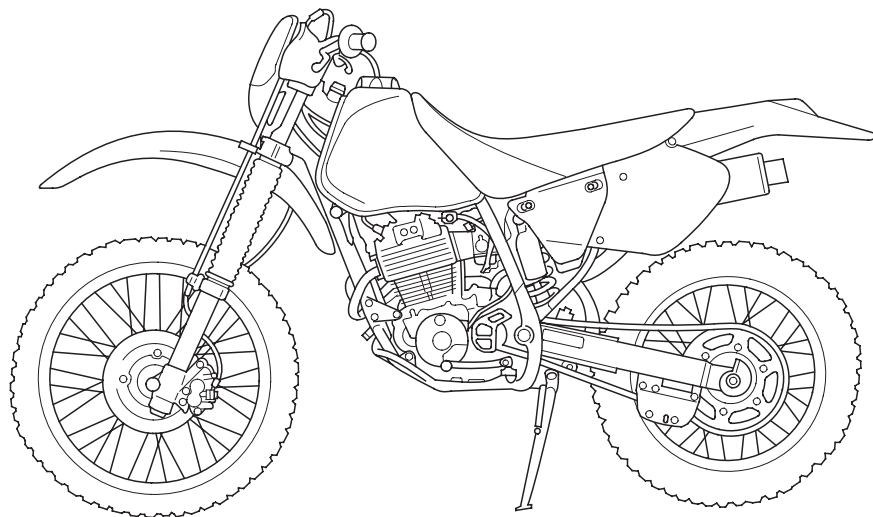
This manual should be considered a permanent part of the motorcycle and should remain with the motorcycle when it is resold.

This publication includes the latest production information available before printing.
Honda Motor Co., Ltd. reserves the right to make changes at any time without notice and without incurring any obligation.

No part of this publication may be reproduced without written permission.

© Honda Motor Co., Ltd. 2003

**2004
Honda XR250R
OWNER'S MANUAL**




A Few Words About Safety

Your safety, and the safety of others, is very important. And operating this motorcycle safely is an important responsibility.

To help you make informed decisions about safety, we have provided operating procedures and other information on labels and in this manual. This information alerts you to potential hazards that could hurt you or others.

Of course, it is not practical or possible to warn you about all hazards associated with operating or maintaining a motorcycle. You must use your own good judgment.

You will find important safety information in a variety of forms, including:

- **Safety Labels** — on the motorcycle.
- **Safety Messages** — preceded by a safety alert symbol  and one of three signal words: **DANGER**, **WARNING**, or **CAUTION**.

These signal words mean:

Safety Messages

A Few Words About Safety

DANGER

You **WILL** be **KILLED** or **SERIOUSLY HURT** if you don't follow instructions.

WARNING

You **CAN** be **KILLED** or **SERIOUSLY HURT** if you don't follow instructions.

CAUTION

You **CAN** be **HURT** if you don't follow instructions.

- **Safety Headings** — such as Important Safety Reminders or Important Safety Precautions.
- **Safety Section** — such as Motorcycle Safety.
- **Instructions** — how to use this motorcycle correctly and safely.

This entire book is filled with important safety information — please read it carefully.

Contents

These pages give an overview of the contents of your owner's manual. The first page of each section lists the topics covered in that section.

Introduction

Motorcycle Safety 1

Important safety information, precautions about loading, accessories, and modifications, and the location of safety labels.

Operating Controls 11

The location, function, and operation of the throttle, brakes, clutch, and other basic controls.

Before Riding 21

The importance of wearing a helmet and other protective gear, plus how to make sure you and your motorcycle are ready to ride.

Basic Operation & Riding 27

How to start and stop the engine, shift gears, and brake. Also, riding precautions.

Servicing Your Honda 41

Why your motorcycle needs regular maintenance, what you need to know before servicing your Honda, a maintenance schedule, and instructions for specific maintenance items.

Contents

Tips	135
How to transport and store your motorcycle, and how to be an environmentally-responsible rider.	
Taking Care of the Unexpected.....	145
What to do if you have a flat tire, your engine won't start, etc.	
Technical Information.....	153
ID numbers, technical specifications, and other technical facts.	
Consumer Information	169
Information on warranties and how to get Honda service manuals.	

Table of Contents.....	178
Sequential listing of topics in this owner's manual.	
Index.....	182
Quick Reference	
Handy facts about fuel, engine oil, tire sizes, and air pressures.	

Introduction

Congratulations on choosing your Honda off-road motorcycle.

When you own a Honda, you're part of a worldwide family of satisfied customers — people who appreciate Honda's reputation for building quality into every product.

Your Honda was designed as a recreational motorcycle for off-road use by one rider only.

Before riding, take time to get acquainted with your motorcycle and how it works. To protect your investment, we urge you to take responsibility for keeping your motorcycle well maintained. Scheduled service is a must, of course. But it's just as important to observe the break-in guidelines, and perform all the pre-ride and other periodic checks detailed in this manual.

We also recommend that you read the owner's manual before you ride. It's full of facts, instructions, safety information, and helpful tips. To make it easy to use, the manual contains a table of contents, a detailed list of topics at the beginning of each section, and an index at the back of the book.

As you read this manual, you will find information that is preceded by a **NOTICE** symbol. This information is intended to help you avoid damage to your Honda, other property, or the environment.

Read the Warranties Booklet (page 173) thoroughly so you understand the coverages that protect your new Honda and are aware of your rights and responsibilities.

Introduction

Whenever you ride, tread lightly. By staying on established trails and riding only in approved areas, you help protect the environment and keep off-road riding areas open for the future.

If you have any questions, or if you ever need a special service or repairs, remember that your Honda dealer knows your motorcycle best and is dedicated to your complete satisfaction.

Please report any change of address or ownership to your Honda dealer so we will be able to contact you concerning important production information.

You may also want to visit our website at www.honda.com.

Happy riding!

Motorcycle Safety

This section presents some of the most important information and recommendations to help you ride your motorcycle safely. Please take a few moments to read these pages. This section also includes information about the location of safety labels on your motorcycle.

- Important Safety Information2
- Loading, Accessories & Modifications5
 - Loading5
 - Accessories & Modifications.....7
- Safety Labels.....9

Important Safety Information

Your motorcycle can provide many years of service and pleasure — if you take responsibility for your own safety and understand the challenges you can meet while riding.

There is much that you can do to protect yourself when you ride. You'll find many helpful recommendations throughout this manual. The following are a few that we consider most important.

Always Wear a Helmet

It's a proven fact: helmets significantly reduce the number and severity of head injuries. So always wear an approved motorcycle helmet. We also recommend that you wear eye protection, sturdy boots, gloves, and other protective gear (page 22).

Never Carry a Passenger

Your motorcycle is designed for one person only. There are no handholds, footrests, or seat for a second person — so never carry a passenger. A passenger could interfere with your ability to move around to maintain your balance and control of the motorcycle.

Ride Off-Road Only

Your motorcycle is designed and manufactured for off-road use only. The tires are not made for pavement, and the motorcycle does not have turn signals and other features required for use on public roads. If you need to cross a paved or public road, get off and walk your motorcycle across.

Important Safety Information

Take Time to Learn and Practice

Developing off-road riding skills is a gradual, step-by-step process. Start by practicing at low speeds in a safe area and slowly build your skills. Personal instruction from an experienced rider can also be valuable.

If you need assistance, ask your dealer about riding groups in your area.

Also be sure to read the *Tips & Practice Guide for the Off-Highway Motorcyclist* booklet that came with your motorcycle (USA only).

Be Alert for Off-Road Hazards

The terrain can present a variety of challenges when you ride off-road. Continually “read” the terrain for unexpected turns, drop-offs, rocks, ruts, and other hazards. Always keep your speed low enough to allow time to see and react to hazards.

Ride within Your Limits

Pushing limits is another major cause of motorcycle accidents. Never ride beyond your personal abilities or faster than conditions warrant. Remember that alcohol, drugs, fatigue, and inattention can significantly reduce your ability to make good judgments and ride safely.

Important Safety Information

Don't Drink and Ride

Alcohol and riding don't mix. Even one drink can reduce your ability to respond to changing conditions, and your reaction time gets worse with every additional drink. So don't drink and ride, and don't let your friends drink and ride either.

Keep Your Honda in Safe Condition

It's important to keep your motorcycle properly maintained and in safe riding condition. Having a breakdown can be difficult, especially if you are stranded off-road far from your base. To help avoid problems, inspect your motorcycle before every ride and perform all recommended maintenance.

Loading, Accessories & Modifications

Your Honda was designed as a rider-only motorcycle. It was not designed to carry a passenger or cargo. A passenger or cargo could interfere with your ability to move around to maintain your balance and control of the motorcycle.

In addition, exceeding the weight limits or carrying an unbalanced load can seriously affect your motorcycle's handling, braking, and stability. Adding accessories or making modifications that change this motorcycle's design and performance can also make it unsafe. Also, the weight of any accessories will reduce the maximum load the motorcycle can carry.

More specific information on load limits, accessories, and modifications follows.

Loading

How much weight you put on your motorcycle, and how you load it, are important to your safety. If you decide to carry cargo, you should be aware of the following information.

WARNING

Overloading or carrying a passenger can cause a crash and you can be seriously hurt or killed.

Follow all load limits and other loading guidelines in this manual.

Loading, Accessories & Modifications

Load Limits

Following are the load limits for your motorcycle:

Maximum weight capacity

= 220 lbs (100 kg)

Includes the weight of the rider and any accessories.

Loading Guidelines

As discussed on page 5, we recommend that you do not carry any cargo on this motorcycle. However, if you decide to carry cargo, ride at reduced speeds and follow these common-sense guidelines:

- Keep cargo small and light. Make sure it cannot easily be caught on brush or other objects, and that it does not interfere with your ability to shift position to maintain balance and stability.

- Place weight as close to the center of the motorcycle as possible.
- Do not attach large or heavy items (such as a sleeping bag or tent) to the handlebar, fork, or front fender.
- Make sure that all cargo is tied down securely.
- Never exceed the maximum weight limit.
- Check that both tires are inflated properly.

Loading, Accessories & Modifications

Accessories & Modifications

Modifying your motorcycle or using non-Honda accessories can make your motorcycle unsafe.

Before you consider making any modifications or adding an accessory, be sure to read the following information.

WARNING

Improper accessories or modifications can cause a crash in which you can be seriously hurt or killed.

Follow all instructions in this owner's manual regarding modifications and accessories.

Accessories

We strongly recommend that you use only genuine Honda accessories that have been specifically designed and tested for your motorcycle. Because Honda cannot test all other accessories, you must be personally responsible for proper selection, installation, and use of non-Honda accessories. Check with your dealer for assistance and always follow this guideline:

- Make sure the accessory does not reduce ground clearance and lean angle, limit suspension travel or steering travel, alter your riding position, or interfere with operating any controls.

Loading, Accessories & Modifications

Modifications

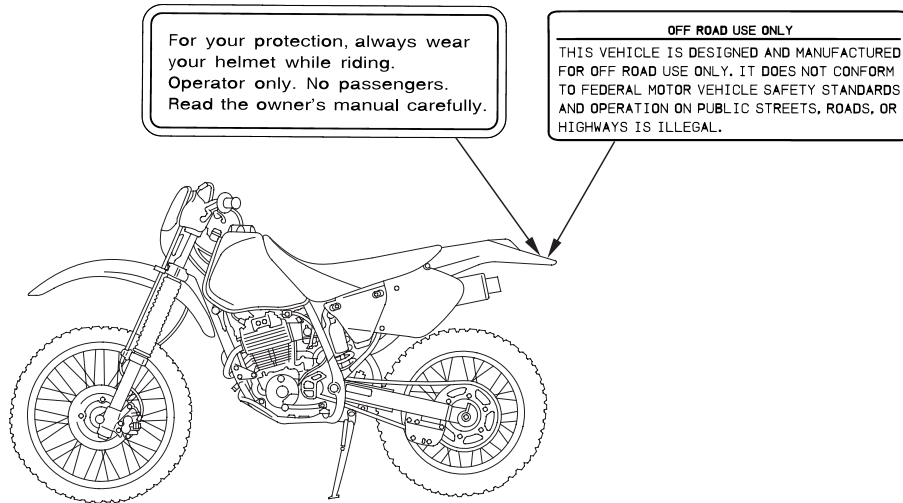
We strongly advise you not to remove any original equipment or modify your motorcycle in any way that would change its design or operation. Such changes could seriously impair your motorcycle's handling, stability, and braking, making it unsafe to ride.

We also advise you not to make any modifications or remove any equipment (such as the USDA qualified spark arrester or emission control system components) that would make the motorcycle illegal in your area.

Safety Labels

This page shows the locations of safety labels on your motorcycle. Some labels warn you of potential hazards that could cause serious injury. Others provide important safety information. Read these labels carefully and don't remove them.

If a label comes off or becomes hard to read, contact your Honda dealer for a replacement.

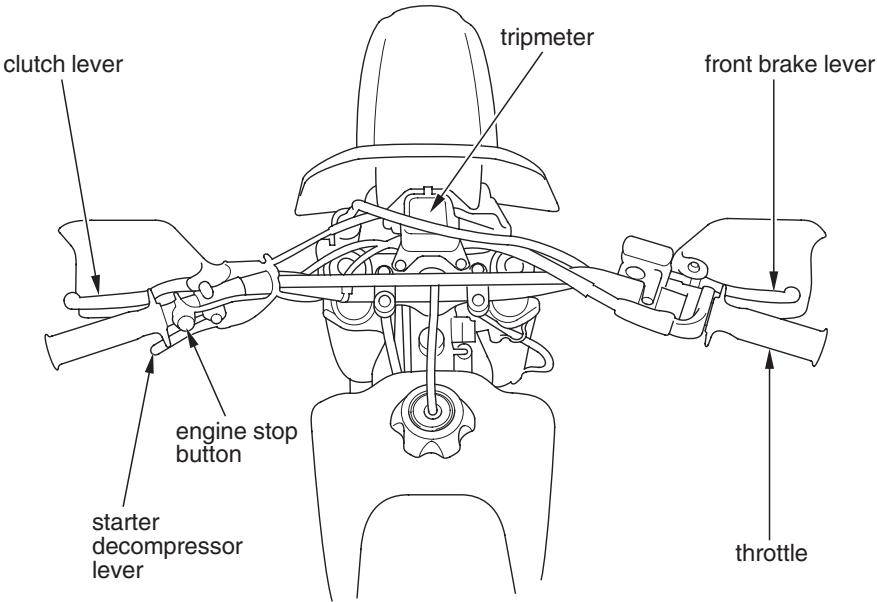


Operating Controls

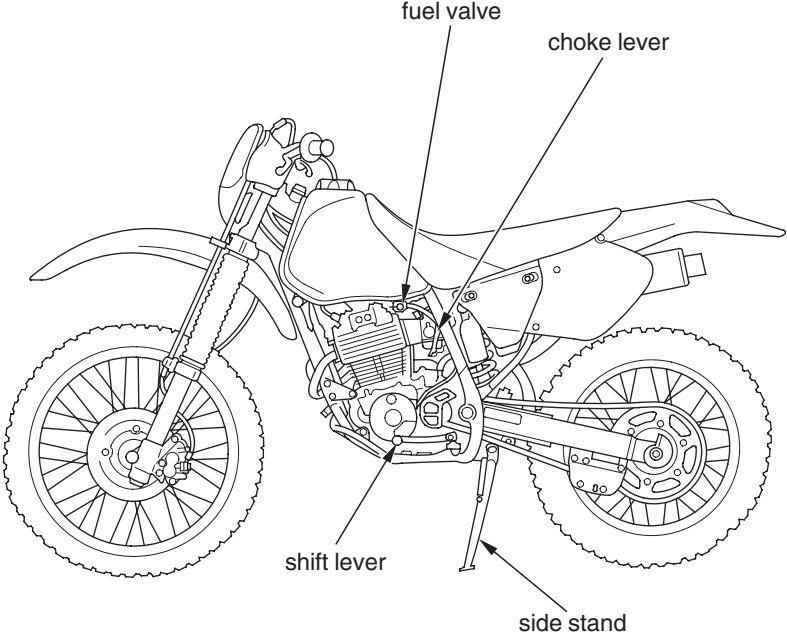
When you ride off-road, you need to operate the throttle, clutch, brakes, and other controls without stopping to look at them. Read this section carefully before you ride. It describes the location, function, and operation of all the basic controls on your motorcycle.

Component Locations	12
Fuel Valve	15
Choke Lever	16
Engine Stop Button	17
Front Brake Lever	17
Throttle	17
Clutch Lever	17
Shift Lever	18
Rear Brake Pedal	18
Kickstarter	18
Starter Decompressor Lever	18
Side Stand	19
Tripmeter	19

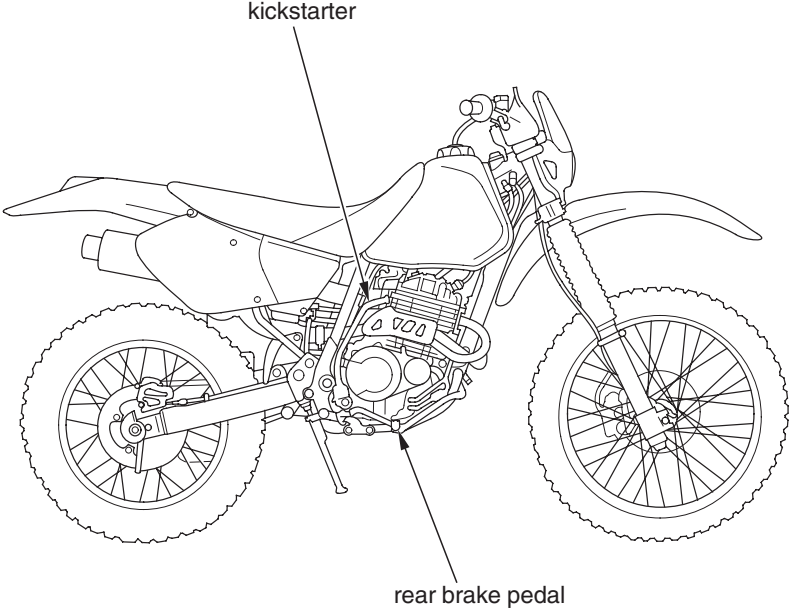
Component Locations



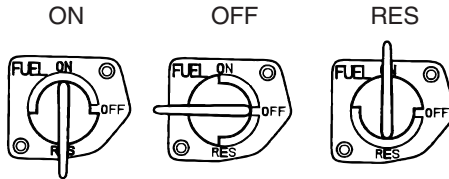
Component Locations



Component Locations



Fuel Valve



The three-way fuel valve is used to control the flow of fuel from the fuel tank to the carburetor.

ON

Turning the fuel valve ON before attempting to start the engine allows fuel to flow from the fuel tank to the carburetor.

OFF

Turning the fuel valve OFF after stopping the engine prevents the flow of fuel from the fuel tank to the carburetor.

RES

Turning the fuel valve to RES allows fuel to flow from the reserve fuel supply to the carburetor.

(cont'd)

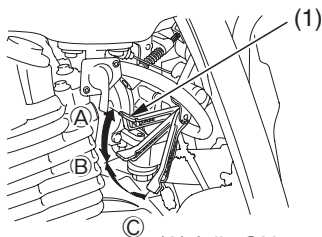
Operating Controls

The reserve fuel supply is:
0.53 US gal (2.0 ℓ)

The tank should be refilled as soon as possible after switching to reserve, and the fuel valve should be returned to the ON position after refueling to avoid running out of fuel with no reserve.

Choke Lever

LEFT SIDE



(1) choke lever

(A) fully ON
(B) detent position
(C) fully OFF

The choke lever is used for starting the engine (page 29). The choke increases the percentage of fuel in the fuel/air mixture delivered to the engine.

ON

Used to start a cold engine with air temperature below 35°C (95°F).

DETENT

Used to warm a cold engine immediately after starting with air temperature below 35°C (95°F).

OFF

Used for normal operation, for restarting a warm engine, or starting a cold engine with air temperature above 35°C (95°F).

Engine Stop Button

The engine stop button is used to turn the engine off during normal riding situations. To operate, push the button in and hold it in until the engine stops completely.

Front Brake Lever

The front brake lever is used to slow or stop your motorcycle. To operate, pull the lever. For information on braking techniques, see page 37.

Throttle

The throttle controls engine rpm (speed). To increase engine rpm, rotate the grip toward you. To reduce engine rpm, rotate the grip away from you. The throttle will automatically return to the closed position (engine idle) when you remove your hand.

Clutch Lever

The clutch lever is used to disengage the clutch whenever you shift gears. To operate, pull the clutch lever in all the way before shifting, then slowly release it after shifting.

Operating Controls

Shift Lever

The shift lever is used to select the next higher or lower gear in the transmission. To operate, raise the shift lever (after pulling in the clutch lever) to engage the next higher gear or depress the shift lever to engage the next lower gear. See *Shifting Gears*, page 35 .

Rear Brake Pedal

The rear brake pedal is used to slow or stop your motorcycle. To operate, depress the pedal. For information on braking techniques, see page 37.

Kickstarter

The kickstarter is used to start the engine. To operate, swing the kickstarter out from its stored position and depress it through its entire stroke. See *Starting Procedure*, page 29 .

Starter Decompressor Lever

The starter decompressor lever may be used if you experience starting difficulties or to help restart the engine while your motorcycle is rolling downhill. To operate, pull the lever in. See *Starter Decompressor Lever*, page 32 .

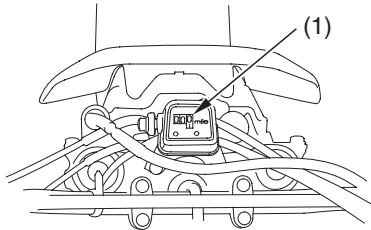
Operating Controls

Side Stand

The side stand is used to support your motorcycle while parked (page 39). To operate, use your foot to lower the stand. Before riding, raise the stand.

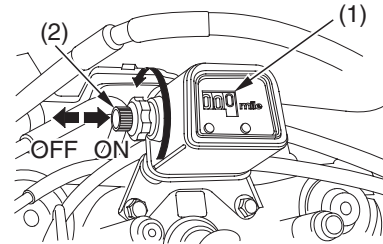
Tripmeter

FRONT



(1) tripmeter

FRONT



(1) tripmeter
(2) tripmeter reset knob

The tripmeter (1) is used to record the distance traveled (USA: miles, Canada: kilometers) per trip or section of route.

To operate, pull the tripmeter reset knob (2) out (OFF) and turn it until the meter shows all zeros (0), then push the knob in (ON).

Before Riding

Before each ride, you need to make sure you and your Honda are both ready to ride. To help get you prepared, this section discusses how to evaluate your riding readiness, and how to perform the recommended pre-ride inspection of your Honda.

Are You Ready to Ride?	22
Protective Apparel	22
Is Your Motorcycle Ready to Ride?	24
Pre-ride Inspection	24

Are You Ready to Ride?

Before you ride your motorcycle for the first time, we strongly recommend that you:

- read this owner's manual
- make sure you understand all the safety messages
- know how to operate all the controls

Before each ride, we also suggest that you make sure you:

- are in good physical and mental condition
- are free of alcohol and drugs
- are wearing an approved motorcycle helmet (with chin strap tightened securely), eye protection, and other protective clothing

Protective Apparel

For your safety, we strongly recommend that you always wear an approved motorcycle helmet, eye protection, boots, gloves, long pants, and a long-sleeved jersey, shirt, or jacket whenever you ride. Although complete protection is not possible, wearing the proper gear can reduce the chance of injury when you ride. Following are suggestions to help you choose the proper gear.

Are You Ready to Ride?

WARNING

Not wearing a helmet increases the chance of serious injury or death in a crash.

Be sure you always wear a helmet, eye protection and other protective apparel when you ride.

Helmets and Eye Protection

Your helmet is your most important piece of riding gear because it offers the best protection against head injuries. A helmet should fit your head comfortably and have a chin strap that can be tightened securely.

An open-face helmet offers some protection, but a full-face helmet offers more. Regardless of the style, look for a DOT (Department of Transportation) sticker in any helmet you buy

(USA only). Always wear a face shield or goggles to protect your eyes and help your vision.

Additional Riding Gear

In addition to a helmet and eye protection, we also recommend:

- Sturdy off-road motorcycle boots to help protect your feet, ankles, and lower legs.
- Off-road motorcycle gloves to help protect your hands.
- Riding pants with knee and hip pads, a riding jersey with padded elbows, and a chest/shoulder protector.

Is Your Motorcycle Ready to Ride?

Before each ride, it's important to inspect your motorcycle and make sure any problem you find is corrected. A pre-ride inspection is a must because off-road riding can be tough on a motorcycle and you don't want to have a breakdown far from help.

WARNING

Improperly maintaining this motorcycle or failing to correct a problem before riding can cause a crash in which you can be seriously hurt or killed.

Always perform a pre-ride inspection before every ride and correct any problems.

Pre-ride Inspection

Check the following items before you get on the motorcycle:

- | | |
|--------------------------|--|
| <i>Tires</i> | Use a gauge to check the air pressure. Adjust if needed. Also look for signs of damage or excessive wear (page 117). |
| <i>Spokes & Rims</i> | Make sure the spokes and rim locks are tight. Also check the rims for damage (page 111). |
| <i>Leaks</i> | Look under the motorcycle for signs of leaking fluids (fuel, engine oil, brake fluid). |

Is Your Motorcycle Ready to Ride?

Engine Oil Check the level and add oil if needed (page 67).

Fuel Check the level and add fuel (page 61) if needed. Also make sure the fuel fill cap is securely fastened.

Drive Chain Check the condition and slack. Adjust and lubricate if needed. Also check the chain guide slider and slipper for wear and replace if needed (page 122).

Cables Check the cable housings for wear. Check the fittings for looseness. Replace or tighten as needed.

Nuts & Bolts Use a wrench to make sure all accessible nuts, bolts, and fasteners are tight.

Spark Plug & Cap Check for looseness (page 84).

Check these items after you get on the motorcycle:

Throttle Check the freeplay and adjust if needed. Rotate the throttle to make sure it moves smoothly without sticking, and snaps shut automatically when it is released, in all steering positions (page 77).

Brakes Squeeze the front brake lever and step on the rear brake pedal to check that the controls operate normally. Check for proper freeplay (page 105).

Is Your Motorcycle Ready to Ride?

Clutch Lever Check for smooth operation and adjust if needed (page 80).

Headlight Check for proper operation.

Remember, be sure to take care of any problem you find or have your Honda dealer correct it before you ride.

Basic Operation & Riding

This section gives basic information on how to begin riding your motorcycle. It includes how to start and stop your engine, how to use the throttle, clutch, and brakes, and what to do when you're through riding.

For more advanced information—how to make turns, ride on hills, etc., see the *Tips & Practice Guide for the Off-Highway Motorcyclist* booklet that came with your Honda (USA only).

To protect your new engine and enjoy optimum performance and service life, refer to Break-in Guidelines (page 161).

For information about carburetor adjustment for riding at high altitude, see page 162 .

Safe Riding Precautions.....	28
Starting & Stopping the Engine.....	29
Preparation	29
Starting Procedure.....	29
Starter Decompressor Lever	32
Flooded Engine	33
How to Stop the Engine	34
Shifting Gears	35
Braking.....	37
Parking	39
Post-ride Inspection	40

Basic Operation & Riding

Safe Riding Precautions

Before riding your motorcycle for the first time, please review the *Important Safety Information* beginning on page 2 and the previous section, titled *Before Riding*.

Even if you have ridden other motorcycles, take time to become familiar with how this motorcycle works and handles. Practice in a safe area until you build up your skills and get accustomed to your motorcycle's size and weight.

For your safety, avoid starting or operating the engine in an enclosed area such as a garage. Your motorcycle's exhaust contains poisonous carbon monoxide gas which can collect rapidly in an enclosed area and cause illness or death.

Starting & Stopping the Engine

Always follow the proper starting procedure described below.

Your motorcycle can be kickstarted with the transmission in gear by pulling in the clutch lever before operating the kickstarter.

Preparation

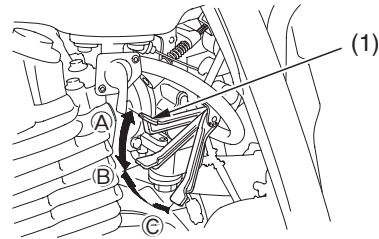
Make sure that the transmission is in neutral. Turn the fuel valve ON.

Starting Procedure

To restart a warm engine, follow the procedure for *High Air Temperature*.

Normal Air Temperature
10° – 35°C (50° – 95°F)

LEFT
SIDE



(1) choke lever

(A) fully ON
(B) detent position
(C) fully OFF

1. Pull the choke lever (1) up all the way to fully ON (A).

Starting & Stopping the Engine

2. Keep the throttle fully closed.
3. Operate the kickstarter to start the engine.
Starting from the top of the stroke, kick through to the bottom with a rapid, continuous motion. Do not operate the throttle.

NOTICE

Allowing the kickstarter to snap back freely against the pedal stop can damage the engine case.

4. Immediately after the engine starts, push the choke lever down to the detent position (B).

NOTICE

Extended use of the choke may impair piston and cylinder wall lubrication and damage the engine.

5. Warm up the engine by opening and closing the throttle slightly.
6. About a half-minute after the engine starts, push the choke lever down all the way to fully OFF (C).
If idling is unstable, open the throttle slightly.

Starting & Stopping the Engine

High Air Temperature

35°C (95°F) or above

1. Do not use the choke.
2. Keep the throttle fully closed.
3. Start the engine following step 3 under *Normal Air Temperature*.

If the engine fails to restart:

1. Pull the starter decompressor lever (page 32) in, open the throttle fully, and operate the kickstarter several times while pressing the engine stop button to clear the engine. Release the starter decompressor lever.
2. Start the engine (see step 3 under *Normal Air Temperature*).

Low Air Temperature

10°C (50°F) or below

1. Follow steps 1 – 3 under *Normal Air Temperature*.
2. Warm up the engine by opening and closing the throttle slightly.
3. Continue warming up the engine until it runs smoothly and responds to the throttle when the choke lever (1) is pushed down all the way to fully OFF (C).

NOTICE

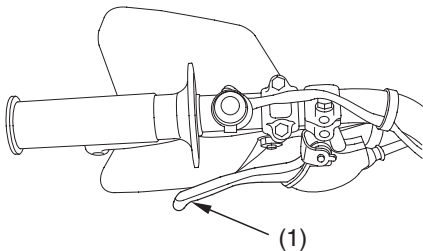
Extended use of the choke may impair piston and cylinder wall lubrication and damage the engine.

Starting & Stopping the Engine

Starter Decompressor Lever

An automatic engine decompression system is interlocked with the kickstarter to make starting easier, but if you have difficulty starting the engine, you may use the manually-operated starter decompressor lever.

LEFT
SIDE



(1) starter decompressor lever

1. With the throttle fully closed, push down lightly on the kickstarter until you feel some resistance.
2. Pull the starter decompressor lever (1) in and push the kickstarter down again slowly about 1/4 to 1/2 of a full stroke.
3. Release the starter decompressor lever and kickstart your motorcycle in the usual manner.

The starter decompressor lever may also be used to help restart the engine while your motorcycle is rolling downhill.

1. Close the throttle. Pull the clutch lever in and shift into 2nd or 3rd gear.
2. With the motorcycle rolling, release the clutch lever. One of two things should happen. The engine will start—or the engine will not start and the rear tire will skid.

Starting & Stopping the Engine

If the rear tire skids:

3. Pull the starter decompressor lever in. This will release engine compression and allow the rear wheel to roll while turning the engine over.
4. Release the starter decompressor lever.
5. If the engine does not start, pull the starter decompressor lever in again. Wait until the motorcycle gains speed and release the lever.

Flooded Engine

If the engine fails to start after repeated attempts, it may be flooded with excess fuel. To clear a flooded engine:

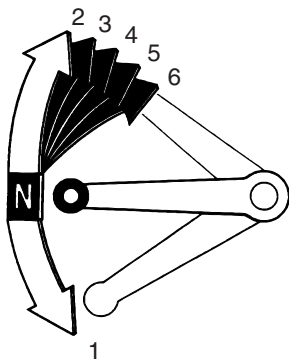
1. Push the choke lever down all the way to OFF.
2. Pull and hold the starter decompressor lever.
3. Open the throttle fully.
4. While pushing the engine stop button, crank the engine several times with the kickstarter.
5. Release the starter decompressor lever and engine stop button.
6. Follow the *High Air Temperature* starting procedure (page 31).

Starting & Stopping the Engine

How to Stop the Engine

To stop the engine, shift into neutral, push the engine stop button in, and hold it in until the engine stops.

Shifting Gears



Your motorcycle has six forward gears.

To start riding, after the engine has been warmed and the side stand raised:

1. Close the throttle and pull the front brake lever in.
2. Pull the clutch lever all the way in.

3. Depress the shift lever from neutral down to first gear.
4. Release the front brake. Gradually open the throttle while you slowly release the clutch lever.
If engine rpm (speed) is too low when you release the clutch lever, the engine will stall. If engine rpm is too high or you release the clutch lever too quickly, your motorcycle may lurch forward.
5. When you attain a moderate speed, close the throttle, pull the clutch lever in, and raise the shift lever. After shifting, release the clutch lever and apply the throttle.

(cont'd)

Shifting Gears

6. To continue shifting up to each higher gear, repeat step 5.
7. To shift down to a lower gear, close the throttle, pull the clutch lever in, and depress the shift lever. After shifting, release the clutch lever and apply the throttle.

Remember to close the throttle and pull the clutch lever in completely before shifting.

NOTICE

Improper shifting may damage the engine, transmission, and drive train.

Learning when to shift gears comes with experience. Upshift to a higher gear or reduce throttle before engine rpm (speed) gets too high. Downshift to a lower gear before you feel the engine laboring (lugging) at low rpm.

Downshifting can help slow your motorcycle, especially on downhills. However, downshifting when engine rpm is too high can cause engine damage.

To prevent transmission damage, do not coast or tow the motorcycle for long distances with the engine off.

To slow or stop, apply the front brake and rear brake smoothly, while downshifting to match your speed. Gradually increase braking as you feel the brakes slowing your speed. To prevent stalling the engine, pull the clutch lever in before coming to a complete stop. For support, put your left foot down first, then your right foot when you are through using the rear brake.

For maximum braking, close the throttle and firmly apply the brake lever and pedal controls.

Applying the brakes too hard may cause the wheels to lock and slide, reducing control of your motorcycle. If this happens, release the brake controls, steer straight ahead until you regain control, then reapply the brakes more gently.

Generally, reduce your speed or complete braking before beginning a turn. Avoid braking or closing the throttle quickly while turning. Either action may cause one or both wheels to slip. Any wheel slip will reduce your control of your motorcycle.

When riding in wet or raining conditions, or on loose surfaces, the ability to maneuver and stop will be reduced. All of your actions should be smooth under these conditions. Rapid acceleration, braking, or turning may cause loss of control. For your safety, exercise extreme caution when braking, accelerating, or turning.

(cont'd)

Braking

When descending a long, steep grade, use engine compression braking by downshifting, with intermittent use of both brakes.

When you brake to a stop, pull the clutch lever in before stopping completely to prevent stalling the engine. For support, put your left foot on the ground first, then your right foot when you're through braking.

Lower the side stand to support your motorcycle. If you're through riding for the day, also turn the fuel valve OFF. Always choose a level place to park.

Post-ride Inspection

When you return home after riding, thoroughly clean your motorcycle and remove any dirt, mud, brush, rocks or other objects you may have picked up along the way.

After cleaning, carefully inspect your motorcycle for leaks or damage.

Be sure to lubricate the drive chain (page 126) to prevent rusting.

Servicing Your Honda

Keeping your motorcycle well maintained is absolutely essential to your safety. It's also a good way to protect your investment, get maximum performance, avoid breakdowns, and have more fun.

To help keep your motorcycle in good shape, this section includes a Maintenance Schedule for required servicing and step-by-step instructions for specific maintenance tasks. You'll also find important safety precautions, information on oils, and tips for keeping your Honda looking good.

For information about the exhaust emission and noise emission requirements of the U.S. Environmental Protection Agency (EPA) and the California Air Resources Board (CARB), see page 163 .

<i>Before You Service Your Honda</i>	
The Importance of Maintenance.....	43
Maintenance Safety.....	45
Important Safety Precautions.....	45
Maintenance Schedule	47
Maintenance Record	51
Competition Inspection.....	52

(cont'd)

Servicing Your Honda

Service Preparations

Component Locations	55
Tools.....	57
Side Cover Removal	58
Air Cleaner Housing Cover Removal.....	59
Seat Removal	60

Service Procedures

Fluids & Filters

Fuel.....	61
Engine Oil	64
Air Cleaner	73
Crankcase Breather	76

Engine

Throttle.....	77
Clutch System	80
Engine Idle Speed	83
Spark Plug	84
Spark Arrester	86

Chassis

Suspension	88
Brakes.....	105
Wheels.....	110
Tires & Tubes.....	117
Side Stand	121
Drive Chain	122
Headlight & Taillight.....	129

Appearance Care	131
-----------------------	-----

The Importance of Maintenance

A well-maintained motorcycle is essential for safe, economical, and trouble-free riding. It will also help reduce air pollution. Careful pre-ride inspections and good maintenance are especially important because your motorcycle is designed to be ridden over rough off-road terrain.

To help you properly care for your motorcycle, this section of the manual provides a Maintenance Schedule. The service intervals in this schedule are based on average riding conditions.

More frequent service is needed if you subject your motorcycle to severe use (see the Competition Inspection checklist, page 52) or ride in unusually wet or dusty areas.

Frequent servicing of the air cleaner is especially important to help you avoid a possible costly engine repair.

If your motorcycle overturns or is involved in a crash, be sure your Honda dealer inspects all major parts, even if you are able to make some repairs.

WARNING

Improperly maintaining this motorcycle or failing to correct a problem before you ride can cause a crash in which you can be seriously hurt or killed.

Always follow the inspection and maintenance recommendations and schedules in this owner's manual.

(cont'd)

The Importance of Maintenance

Remember, proper maintenance is the owner's responsibility. Be sure to inspect your motorcycle before each ride and follow the Maintenance Schedule in this section.

The maintenance section includes instructions on how to perform some important maintenance tasks. Some of the most important safety precautions follow. However, we cannot warn you of every conceivable hazard that can arise in performing maintenance. Only you can decide whether or not you should perform a given task.

WARNING

Failure to properly follow maintenance instructions and precautions can cause you to be seriously hurt or killed.

Always follow the procedures and precautions in this owner's manual.

Important Safety Precautions

- Make sure the engine is off before you begin any maintenance or repairs. This will help eliminate several potential hazards:

Carbon monoxide poisoning from engine exhaust. Be sure there is adequate ventilation whenever you operate the engine.

Burns from hot motorcycle parts. Let the engine and exhaust system cool before touching.

Injury from moving parts. Do not run the engine unless instructed to do so.

(cont'd)

Maintenance Safety

- Read the instructions before you begin, and make sure you have the tools and skills required.
- To help prevent the motorcycle from falling over, park it on a firm, level surface, using the side stand or a maintenance stand to provide support.
- To reduce the possibility of a fire or explosion, be careful when working around gasoline. Use only a non-flammable (high flash point) solvent such as kerosene — not gasoline — to clean parts. Keep cigarettes, sparks, and flames away from all fuel-related parts.

Maintenance Schedule

To maintain the safety and reliability of your motorcycle, regular inspection and service is required as shown in the Maintenance Schedule that follows.

The Maintenance Schedule lists items that can be performed with basic mechanical skills and hand tools. Procedures for these items are provided in this manual.

The Maintenance Schedule also includes items that involve more extensive procedures and may require special training, tools, and equipment. Therefore, we recommend that you have your Honda dealer perform these tasks unless you have advanced mechanical skills and the required tools. Procedures for items in this schedule are provided in a service manual available for purchase from your dealer (page 170).

Because your motorcycle does not have an odometer, service intervals in the maintenance schedules are expressed in terms of riding days as well as miles. To avoid overlooking required service, we urge you to develop a convenient way to record the number of days and/or miles you ride.

If you do not feel capable of performing a given task or need assistance, remember that your Honda dealer knows your motorcycle best and is fully equipped to maintain and repair it. If you decide to do your own maintenance, use only genuine Honda parts or their equivalents for repair or replacement to ensure the best quality and reliability.

Maintenance Schedule

Perform the pre-ride inspection (page 24) at each scheduled maintenance period.

Each item on the maintenance schedule requires some mechanical knowledge. Certain items (particularly those marked * and **) may require more technical information and tools. Consult your Honda dealer.

- * Should be serviced by your Honda dealer, unless the owner has the proper tools and service data and is mechanically qualified. Refer to the official Honda Service Manual (page 170).
- ** In the interest of safety, we recommend these items be serviced only by your Honda dealer.

Summary of Maintenance Schedule Notes and Procedures:

NOTES:

1. Service more frequently when ridden in wet or dusty conditions.
2. California type only.
3. Replace every 2 years. Replacement requires mechanical skill.

Maintenance Procedures:

- I: inspect and clean, adjust, lubricate, or replace, if necessary
- C: clean
- A: adjust
- L: lubricate
- R: replace

Maintenance Schedule

Items			Frequency	Whichever Comes First ⇔	Initial Maint.	Regular Maint. Interval					Refer to page:
						mi	100	600	1,200	1,800	
			km	150	1,000	2,000	3,000	4,000			
			Note	Month	1	6	12	18	24		
EMISSION RELATED ITEMS	*	Fuel Line					I		I	—	
	**	Fuel Strainer Screen					C		C	—	
	*	Throttle Operation					I		I	77	
		Air Cleaner	Note 1			C	C	C	C	73	
		Crankcase Breather	Note 2			I	I	I	I	76	
		Spark Plug				I	I	I	I	84	
	*	Valve Clearance			I	I	I	I	I	—	
		Engine Oil			R	R	R	R	R	64	
		Engine Oil Filter			R	R	R	R	R	68	
	*	Engine Oil Strainer Screen in Down Tube					C		C	—	
	*	Decompressor System			I	I	I	I	I	—	
	**	Engine Idle Speed			I	I	I	I	I	83	

* Should be serviced by your Honda dealer, unless the owner has the proper tools and service data and is mechanically qualified. Refer to the official Honda Service Manual (page 170).

**In the interest of safety, we recommend these items be serviced only by your Honda dealer.

Maintenance Schedule

Items	Frequency	Whichever Comes First ⇒	Initial Maint.	Regular Maint. Interval					Refer to page:	
				mi	100	600	1,200	1,800		2,400
				km	150	1,000	2,000	3,000		4,000
Note	Month	1	6	12	18	24				
NON – EMISSION RELATED ITEMS		Drive Chain	Note 1	I, L	I, L: every 300 mi (500 km) or 3 months					122
		Drive Chain Slider			I	I	I	I	123	
		Brake Fluid	Note 3		I	I	I	I	106	
		Brake Pad Wear			I	I	I	I	108	
		Brake System		I	I	I	I	I	105	
	*	Headlight Aim				I		I	—	
		Clutch System		I	I	I	I	I	80	
		Side Stand				I		I	121	
	*	Suspension				I		I	88	
	*	Spark Arrester			C: every 1,000 mi (1,600 km) or every 100 operating hours					86
	*	Nuts, Bolts, Fasteners		I		I		I	—	
	**	Wheels/Tires		I	I	I	I	I	110, 117	
**	Steering Head Bearings		I		I		I	—		

* Should be serviced by your Honda dealer, unless the owner has the proper tools and service data and is mechanically qualified. Refer to the official Honda Service Manual (page 170).

** In the interest of safety, we recommend these items be serviced only by your Honda dealer.

Maintenance Record

Keeping an accurate maintenance record will help ensure that your motorcycle is properly maintained. Use the space under Notes to record anything you want to remind yourself about or mention to your dealer. Of course, if you find any problem while servicing your motorcycle, be sure it is corrected as soon as possible.

Miles (km) or Months	Date	Performed By:	Notes
600 (1,000) or 6			
1,200 (2,000) or 12			
1,800 (3,000) or 18			
2,400 (4,000) or 24			
3,000 (5,000) or 30			
3,600 (6,000) or 36			
4,200 (7,000) or 42			
4,800 (8,000) or 48			
5,400 (9,000) or 54			

Competition Inspection

All items should be checked before each competition event. See your Honda dealer unless you are mechanically qualified and have the proper tools.

Damage from competition use is not covered by the Distributor's Limited Warranty on your Honda.

NOTE: Refer to the Maintenance Schedule (page 48) for regular service intervals.

No	Item	Inspect For:	Action	Refer to Page:
1	all pre-ride inspection items			24
2	engine oil	contaminants	change	64
3	fuel line	deterioration, damage, or leakage	replace	—
4	valve clearance	correct clearance	adjust	—
5	engine idle speed	correct idle speed	adjust	83
6	carburetor choke	proper operation	—	—

Competition Inspection

No	Item	Inspect For:	Action	Refer to Page:
7	decompression mechanism	proper freeplay	adjust	—
8	clutch discs	proper operation, see NOTE 1	replace	—
9	air cleaner	contamination or tears	clean or replace	73
10	spark plug	gap, tightness, proper heat range, high-tension terminal security	tighten, replace or secure	84
11	steering head bearings	free rotation of handlebar and steering stem nut tightness	adjust or retighten	—
12	front suspension	smooth operation, air pressure, oil capacity, no oil leaks, good boot condition	replace or adjust	88, 91
13	rear suspension	smooth operation, no oil leaks, proper spring height	replace or adjust	89, 96

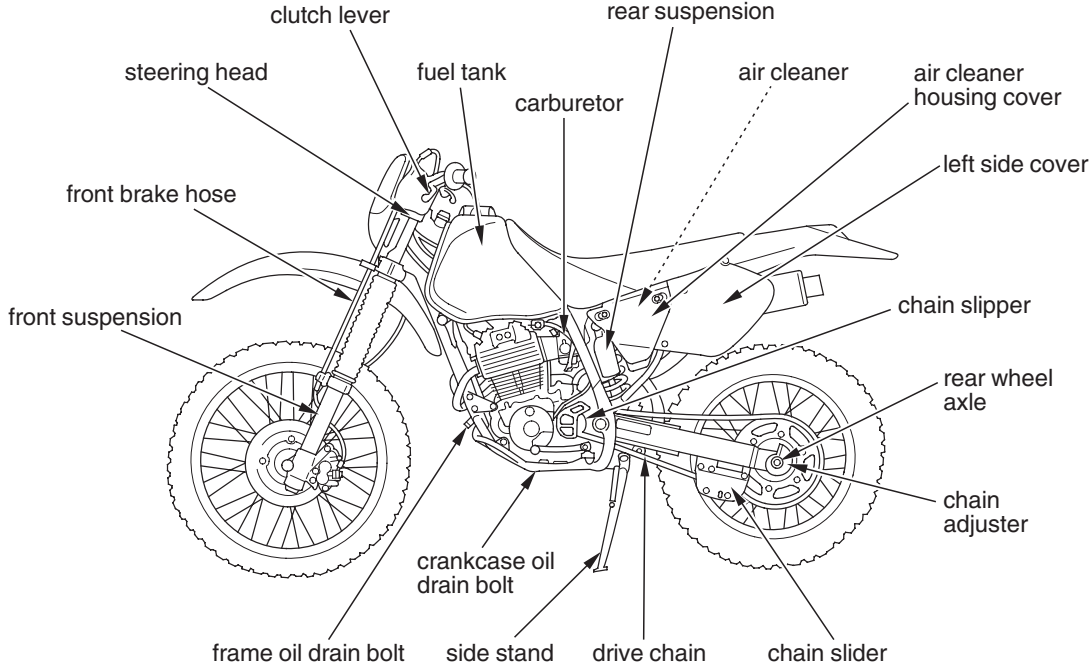
NOTE 1: Competition use may cause more rapid clutch disc wear. Refer to the official Honda Service Manual, or see your Honda dealer for clutch disassembly and wear inspection.

(cont'd)

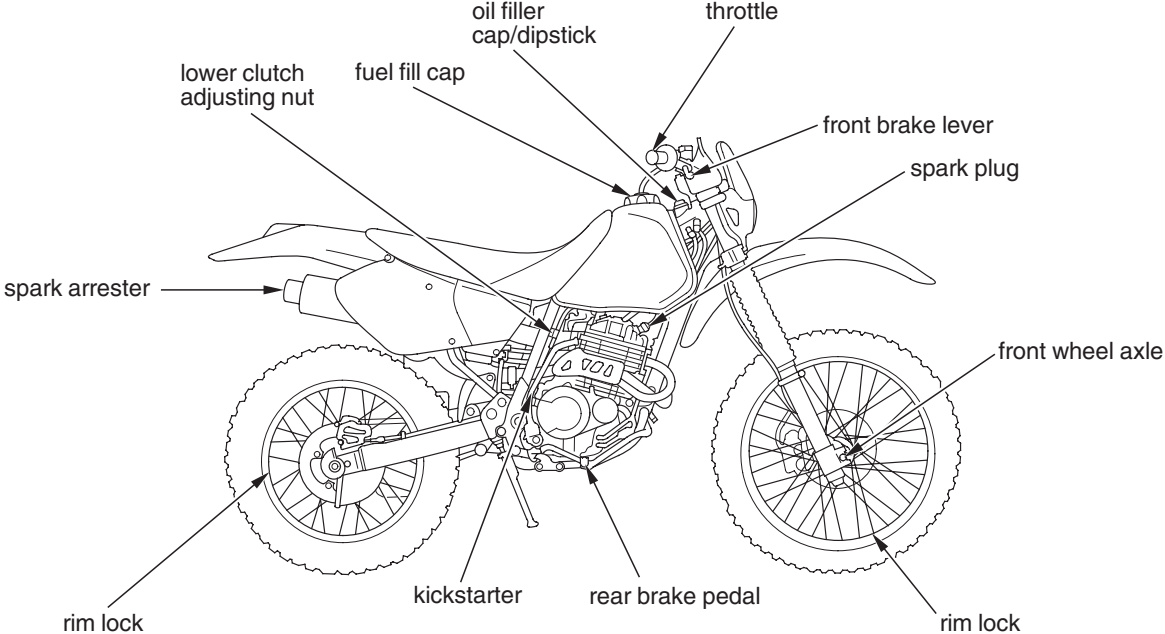
Competition Inspection

No	Item	Inspect For:	Action	Refer to Page:
14	swingarm bearings	smooth operation	replace	89
15	rear suspension linkage bushings	wear	replace	89
16	brake pads	wear beyond service limit	replace	108
17	drive chain: max. length/pin	65.3 in (1,659 mm) / 104 pins	replace	124
18	sprockets	wear and secure installation	replace or tighten	125
19	seat	security	tighten	60
20	headlight	proper beam aim	adjust	130
21	tripmeter	proper operation	replace	19
22	control cables	smooth operation, kinks and correct routing	lubricate or replace	—
23	engine mounting bolts	tightness	tighten	—

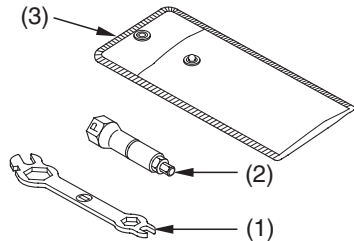
Component Locations



Component Locations



Refer to *Safety Precautions* on page 45.



- (1) multi-purpose wrench
- (2) plug wrench
- (3) tool bag

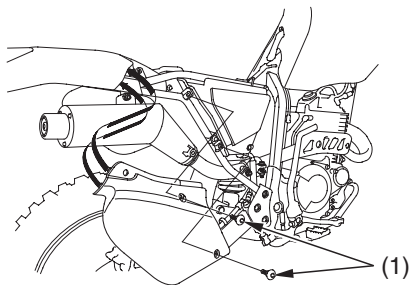
The multi-purpose wrench (1) in the tool bag (3) delivered with your motorcycle can be used to remove the spark plug. Some repairs, adjustments, and part replacements may be performed with this tool.

You will need to provide your own tools to perform other owner maintenance.

Side Cover Removal

Refer to *Safety Precautions* on page 45.

RIGHT SIDE



(1) bolts

Removal

1. Remove the right seat bolt (page 60).
2. Use a hex wrench to remove the two bolts (1).
3. Pull the side cover out.

Installation

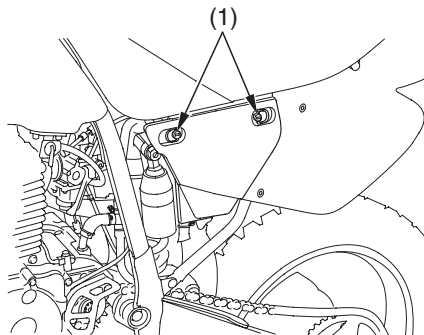
1. Slide the top of the side cover under the bottom edge of the seat.
2. Align the tabs to the cutout of the rear fender.
3. Install the securing bolts and tighten them.
4. Tighten the seat bolt.

Use the same procedure to remove and install the left side cover.

Air Cleaner Housing Cover Removal

Refer to *Safety Precautions* on page 45.

LEFT SIDE



(1) quick release fastener

The air cleaner housing cover must be removed to service the air cleaner.

Removal

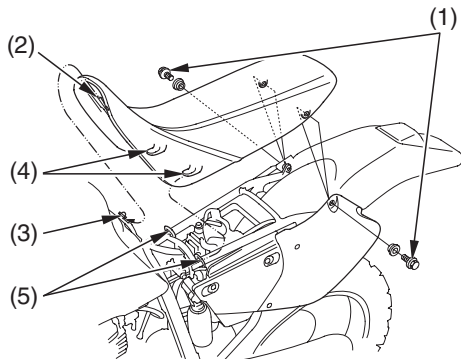
1. Lift the D-ring on each quick-release fastener (1) and turn it counterclockwise until it releases.

Installation

1. Align the air cleaner housing cover with the air cleaner housing.
2. Push each quick-release fastener into its slot, lift its D-ring, and turn it clockwise until it is secure.

Seat Removal

Refer to *Safety Precautions* on page 45.



- (1) bolts
- (2) slot
- (3) pin
- (4) prongs
- (5) hooks

The seat must be removed to adjust rear suspension pre-load.

Removal

1. Remove the two bolts (1) securing the seat.
2. Slide the seat back.

Installation

1. Align the locating slot (2) under the front of the seat with the pin (3) on the rear of the fuel tank.
2. Align the locating prongs (4) on the bottom of the seat with the hooks (5) on the frame.
3. Slide the seat into position.
4. Install the bolts and tighten them.

Refer to *Safety Precautions* on page 45.

Fuel Recommendation

Type	unleaded
Pump Octane Number	92 (or higher)

Your engine is designed to use any gasoline that has a pump octane number of 92 or higher. Gasoline pumps at service stations normally display the pump octane number. For information on the use of oxygenated fuels, see page 167.

Use of lower octane gasoline can cause persistent “pinging” or “spark knock” (a louder rapping noise) which, if severe, can lead to engine damage. (Light pinging experienced while operating under a heavy load, such as climbing a hill, is no cause for concern.)

If pinging or spark knock occurs at a steady engine speed under normal load, change brands of gasoline. If pinging or spark knock persists, consult your Honda dealer.

We recommend that you use unleaded fuel because it produces fewer engine deposits and extends the life of exhaust system components.

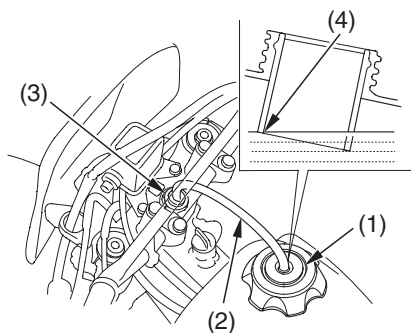
Never use stale or contaminated gasoline or an oil/gasoline mixture. Avoid getting dirt, dust, or water in the fuel tank.

Fuel

Refueling Procedure

Fuel Tank Capacity, including reserve:
2.38 US gal (9.0 l)

Reserve Capacity:
0.53 US gal (2.0 l)



- (1) fuel fill cap
(2) breather tube
(3) steering stem nut
(4) filler neck

1. To open the fuel fill cap (1), pull the breather tube (2) out of the steering stem nut (3). Turn the fuel fill cap counterclockwise and remove it.
2. Add fuel until the level reaches the bottom of the filler neck (4). Avoid overfilling the tank. There should be no fuel in the filler neck.

⚠ WARNING

Gasoline is highly flammable and explosive. You can be burned or seriously injured when handling fuel.

- Stop the engine and keep heat, sparks and flame away.
- Handle fuel only outdoors.
- Wipe up spills immediately.

3. After refueling, turn the fuel fill cap clockwise until it is secure.
4. Insert the breather tube in the steering stem nut.

If you replace the fuel fill cap, use only a genuine Honda replacement part.

Engine Oil

Refer to *Safety Precautions* on page 45 .

Using the proper oil, and regularly checking, adding, and changing oil will help extend your engine's life. Even the best oil wears out. Changing oil helps get rid of dirt and deposits held in the engine. Operating the engine with old or dirty oil can damage your engine. Running the engine with insufficient oil can cause serious damage to the engine and transmission.

Oil Recommendation

API classification	SG or higher except oils labeled as energy conserving on the circular API service label
viscosity (weight)	SAE 20W-50*/10W-40
JASO T 903 standard	MA
suggested oil**	Pro Honda GN4 or HP4 (without molybdenum additives) 4-stroke oil (USA & Canada), or Honda 4-stroke oil (Canada only), or an equivalent motorcycle oil

Engine Oil

- * For normal air temperatures. Use SAE 10W-40 when the outside temperature is below 0°C (32°F). See next page for additional temperature/viscosity information.
- ** Suggested oils are equal in performance to SJ oils that are not labeled as energy conserving on the circular API service label.

- Your motorcycle does not need oil additives. Use the recommended oil.
- Do not use oils with graphite or molybdenum additives. They may adversely affect clutch operation.
- Do not use API SH or higher oils displaying a circular API “energy conserving” service label on the container. They may affect lubrication and clutch performance.



NOT RECOMMENDED



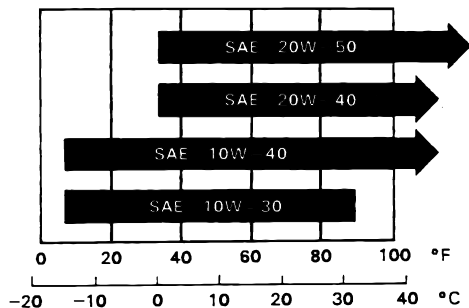
OK

- Do not use non-detergent, vegetable, or castor based racing oils.

(cont'd)

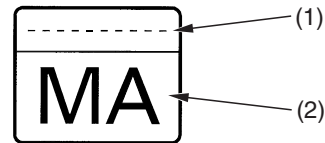
Engine Oil

Other viscosities shown in the following chart may be used when the average temperature in your riding area is within the indicated range.



JASO T 903 standard

The JASO T 903 standard is an index to choose engine oils for 4-stroke motorcycle engines. There are two classes: MA and MB. Oil conforming to the standard has the following classification on the oil container.

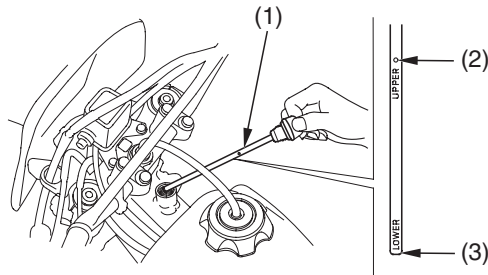


PRODUCT MEETING JASO T 903
COMPANY GUARANTEEING THIS MA PERFORMANCE:

- (1) code number of the sales company of the oil
- (2) oil classification

Checking & Adding Oil

RIGHT SIDE



- (1) oil filler cap/dipstick
- (2) upper level mark
- (3) lower level mark

1. Park your motorcycle on a firm, level surface.
2. Clean around the oil filler cap/dipstick (1) and nearby surfaces.

3. Start the engine and let it idle for 5 minutes. If the air temperature is below 10°C (50°F), let the engine idle for an additional 5 minutes (a total of 10 minutes).
An engine that is not warmed sufficiently may give an inaccurate (low) oil level reading.
During idling, make sure your motorcycle is supported in an upright position to assure an accurate oil level reading. Stop the engine.
4. Immediately unscrew and remove the oil filler cap/dipstick. Wipe it clean.
5. Hold the motorcycle upright.
6. Insert the dipstick until it seats, but do not screw it in.
7. Remove the dipstick and check the oil level.
 - If the oil is at or near the upper level mark (2), you do not have to add oil.
 - If the oil is below or near the lower level mark (3), add the recommended oil until it reaches the upper level mark. (Do not overfill.)

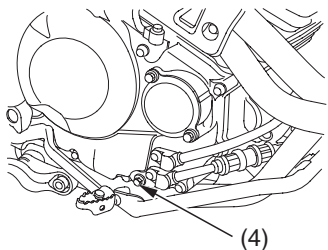
(cont'd)

Engine Oil

8. Insert the dipstick and screw it in tightly.
9. Check for oil leaks.

The engine contains a crankcase oil level check bolt (4). Remove the bolt and check that the level is flush with the lower edge of the hole. If it is, install and tighten the bolt, start the engine and check the engine oil level. If the crankcase oil level is low, add the recommended engine oil before starting the engine to check the engine oil level.

RIGHT SIDE



(4) check bolt

Changing Engine Oil & Filter

Your motorcycle's oil filter has very specific performance requirements. Use a new genuine Honda oil filter specified for your model or a filter of equal quality.

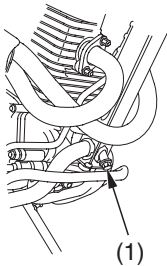
NOTICE

Using the wrong oil filter may result in leaks or premature engine damage.

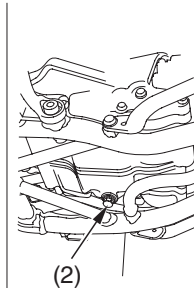
Changing the oil requires a torque wrench. If you do not have it and the necessary skill, we recommend that you have your Honda dealer perform this service.

If a torque wrench is not used for this installation, see your Honda dealer as soon as possible to verify proper assembly.

FRONT



UNDER



- (1) drain bolt (down tube)
- (2) drain bolt (left crankcase)

Drain the Engine Oil:

1. Park your motorcycle on a firm, level surface.
2. If the engine is cold, start it and let it idle for 3-5 minutes. Turn the engine off. Wait 2-3 minutes for the oil to settle.
3. Remove the oil filler cap/dipstick from the top of the frame.
4. Place a drain pan under the crankcase.
5. Remove the oil drain bolt (1) on the down tube, and the drain bolt (2) on the left crankcase.
6. After the oil has drained, check the sealing washers on the drain bolts. Replace, if necessary.

(cont'd)

Engine Oil

7. Pour the drained oil into a suitable container and dispose of it in an approved manner (page 143).

NOTICE

Improper disposal of drained fluids is harmful to the environment.

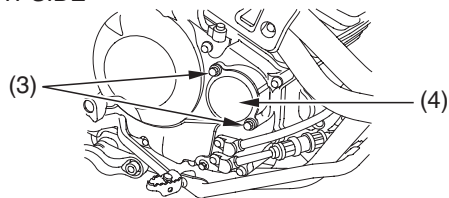
8. Install the oil drain bolts and tighten to the specified torque:
Crankcase drain bolt:
18 lbf·ft (25 N·m , 2.5 kgf·m)
Frame drain bolt:
29 lbf·ft (39 N·m , 4.0 kgf·m)

Install a New Engine Oil Filter:

Change the oil filter after draining the engine oil.

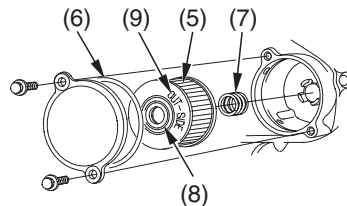
9. Remove the oil filter bolts (3) and oil filter cover (4).

RIGHT SIDE



- (3) oil filter bolts
- (4) oil filter cover

10. Remove the oil filter (5) from the cover.



- (5) oil filter
- (6) O-ring
- (7) spring
- (8) rubber seal
- (9) OUT-SIDE mark

11. Discard the oil filter in an approved manner (page 143).

NOTICE

Improper disposal of drained fluids is harmful to the environment.

12. Check that the oil filter cover O-ring (6) is in good condition.

13. Position the spring (7) against the engine crankcase and install a new oil filter with the rubber seal (8) facing out, away from the engine. You should see the “OUT-SIDE” mark (9) on the filter body, near the seal.

NOTICE

Improper installation of the oil filter can cause serious engine damage.

14. Reinstall the oil filter cover, making sure the bolts are tightened securely to the specified torque.

Oil filter bolt:

9 lbf·ft (12 N·m , 1.2 kgf·m)

Add Engine Oil:

If the oil filter was replaced:

1.5 US qt (1.4 ℓ)

If the oil filter was not replaced, use approximately:

1.4 US qt (1.3 ℓ)

(cont'd)

Engine Oil

To fill the oil tank to the upper level, oil should be added in two steps.

15. Pour the recommended oil into the oil tank, up to the upper level mark.
16. Install the oil filler cap/dipstick securely.
17. Start the engine. Let it idle 5 minutes. During idling, support your motorcycle in an upright position on a firm, level surface to assure an accurate oil level reading.
18. Stop the engine. Remove the oil filler cap/dipstick.
19. Add the recommended oil up to the upper level mark. (Do not overfill.)
20. Reinstall the oil filler cap/dipstick.
21. Check for oil leaks.

Refer to *Safety Precautions* on page 45.

Proper air cleaner maintenance is very important for off-road vehicles. A dirty, water-soaked, worn-out, or defective air cleaner will allow dirt, dust, mud, and other impurities to pass into the engine.

Service the air cleaner more frequently if you ride in unusually wet or dusty areas. Your Honda dealer can help you determine the correct service interval for your riding conditions.

Your motorcycle's air cleaner has very specific performance requirements. Use a new genuine Honda air cleaner specified for your model or an air cleaner of equal quality.

NOTICE

Using the wrong air cleaner can result in premature engine damage.

Proper air cleaner maintenance can prevent premature engine wear or damage, expensive repairs, low engine power, poor gas mileage, and spark plug fouling.

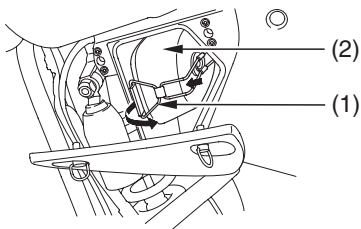
NOTICE

Improper or lack of proper air cleaner maintenance can cause poor performance and premature engine wear.

Air Cleaner

Cleaning

LEFT SIDE



(1) set spring
(2) air cleaner

1. Remove the air cleaner housing cover (page 59).
2. Unhook the set spring (1).
3. Remove the air cleaner assembly (2).
4. Remove the air cleaner from its support. Wipe the support clean.

5. Gently wash the air cleaner in clean, non-flammable (high flash point) solvent such as kerosene — not gasoline. After cleaning, gently squeeze out the remaining solvent. Avoid twisting or wringing the air cleaner. This can tear the foam.
6. Inspect for tears or cracks in the foam or seams of the air cleaner. Replace the air cleaner if it is damaged.
7. Allow the air cleaner to dry thoroughly before applying oil. A wet air cleaner will not fully absorb the oil.

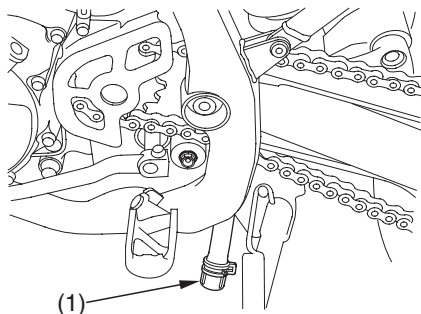
8. Pour clean Pro Honda Foam Filter Oil or an equivalent (Canada: Honda Foam Filter Oil or an equivalent) over the entire surface of the air cleaner. Use both hands to evenly spread the oil into the air cleaner. Gently squeeze out any excess oil. (To keep your hands dry, place the air cleaner in a clean plastic bag before spreading the oil into the air cleaner.)
9. Install the air cleaner on its support.
10. Apply a thin coat of grease to the sealing surface of the air cleaner assembly.
11. Install the air cleaner with the lug on the holder aligned with the hole in the air cleaner.
12. Hook the set spring.
13. Install the air cleaner housing cover.

Crankcase Breather (California only)

Refer to *Safety Precautions* on page 45.

Service more frequently if your motorcycle is ridden in the rain or often at full throttle. Service the breather if you can see deposits in the transparent section of the drain tube.

LEFT SIDE



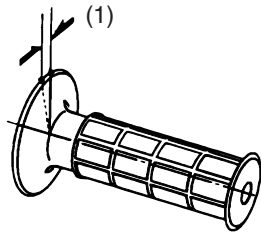
(1) crankcase breather tube plug

1. Remove the crankcase breather tube plug (1) from the tube and drain deposits.
2. Reinstall the crankcase breather tube plug.

Refer to *Safety Precautions* on page 45.

Throttle Freeplay

RIGHT SIDE



(1) freeplay

Inspection

Check freeplay (1).

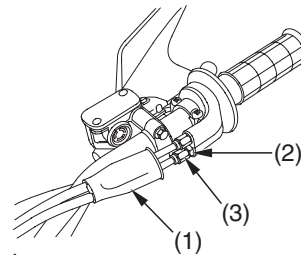
Freeplay: $1/16 - 1/4$ in (2.0 – 6.0 mm)

If necessary, adjust to the specified range.

Upper Adjustment

Minor adjustments are generally made with the upper adjuster.

RIGHT SIDE



- (1) rubber dust cover
- (2) upper lock nut
- (3) upper adjuster

1. Pull the rubber dust cover (1) back.
2. Loosen the upper lock nut (2) on the throttle cable mechanism.
3. Turn the upper adjuster (3).

(cont'd)

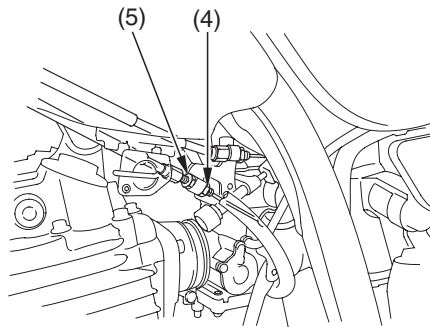
Throttle

4. Tighten the lock nut. Return the dust cover to its normal position.
5. After adjustment, check for smooth rotation of the throttle grip from fully closed to fully open in all steering positions.

Lower Adjustment

The lower adjuster is used for major freeplay adjustment, such as after replacing the throttle cables or removing the carburetor. It is also used if you can not get the proper adjustment with the upper adjuster.

LEFT SIDE

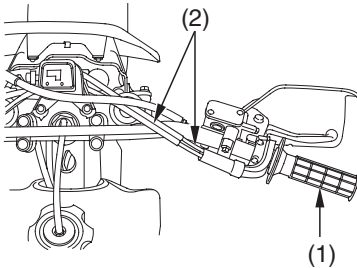


- (4) lower lock nut
- (5) lower adjuster

1. Loosen the lower lock nut (4) on the cable.
2. Turn the lower adjuster (5).
3. Tighten the lock nut on the adjuster.

If you can't get the freeplay within the specified range, contact your Honda dealer.

Throttle Inspection



- (1) throttle
- (2) throttle cables

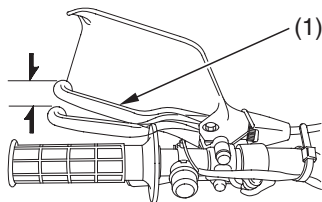
1. Check that the throttle assembly is positioned properly and the securing bolts are tight.
2. Check for smooth rotation of the throttle (1) from fully open to fully closed in all steering positions. If there is a problem, see your Honda dealer.
3. Inspect the condition of the throttle cables (2) from the throttle grip down to the carburetor. If the cable is kinked or chafed, have it replaced.
4. Check the cables for tension or stress in all steering positions.
5. Lubricate the cables with a commercially-available cable lubricant to prevent premature rust and corrosion.

Clutch System

Refer to *Safety Precautions* on page 45.

Clutch Freeplay

LEFT SIDE



(1) clutch lever

Inspection

Check freeplay.

Freeplay: $3/8 - 13/16$ in (10–20 mm)

If necessary, adjust to the specified range.

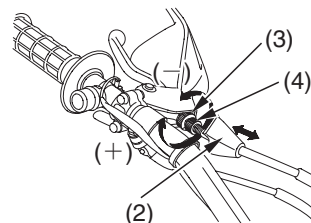
Improper freeplay adjustment can cause premature clutch wear.

Upper Adjustment

Minor adjustments are generally made with the upper clutch cable adjuster.

Upper clutch assembly adjuster:

LEFT SIDE



(2) dust cover

(3) upper lock nut

(4) upper clutch cable adjuster

(+) increase freeplay

(-) decrease freeplay

1. Pull the rubber dust cover (2) back.
2. Loosen the upper lock nut (3).
3. Turn the upper clutch cable adjuster (4) to obtain the specified freeplay.

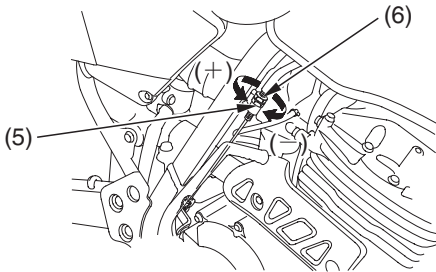
Clutch System

4. Tighten the lock nut and check the freeplay again.

Lower Adjustment

The lower clutch cable adjuster is used if the upper clutch cable adjuster is threaded out near its limit — or the correct freeplay cannot be obtained.

RIGHT SIDE



(5) lower adjusting nut
(6) lower lock nut

(+) increase freeplay
(-) decrease freeplay

1. Loosen the upper lock nut (3) and turn the upper clutch cable adjuster (4) all the way in (to provide maximum freeplay).
2. Tighten the upper lock nut and pull the dust cover (2) back to its normal position.
3. Hold the lower adjusting nut (5) and loosen the lower lock nut (6) at the lower end of the cable.
4. Turn the lower adjusting nut to obtain the specified freeplay.
5. Hold the lower adjusting nut and tighten the lower lock nut. Check the adjustment.

(cont'd)

Clutch System

6. Start the engine, pull the clutch lever in, and shift into gear. Make sure the engine does not stall and the motorcycle does not creep. Gradually release the clutch lever and open the throttle. Your motorcycle should move smoothly and accelerate gradually.

If you can't get proper adjustment, or the clutch does not work properly, the cable may be kinked or worn, or the clutch discs may be worn. See your Honda dealer or refer to the official Honda Service Manual (page 170).

Other Inspections & Lubrication

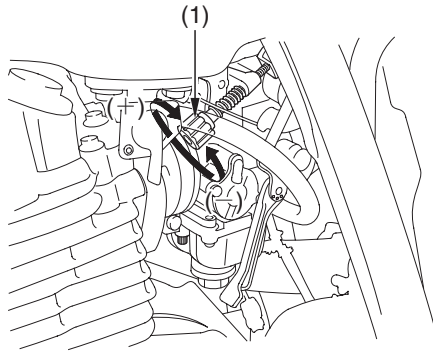
- Check that the clutch lever assembly is positioned properly and the securing bolts are tight.
- Check the clutch cable for kinks or signs of wear. If necessary, have it replaced.
- Lubricate the clutch cable with a commercially-available cable lubricant to prevent premature wear and corrosion.

Engine Idle Speed

Refer to *Safety Precautions* on page 45.

Engine Idle Speed

LEFT SIDE



(1) throttle stop screw

(+) increase rpm
(-) decrease rpm

The engine must be at normal operating temperature for accurate idle speed adjustment. Ten minutes of stop-and-go riding is sufficient.

Do not attempt to compensate for faults in other systems by adjusting idle speed. See your Honda dealer for regularly scheduled carburetor adjustments.

1. Warm up the engine, shift to neutral and place the motorcycle on its stand.
2. Connect a tachometer, following the tachometer manufacturer's instructions.
3. Adjust idle speed with the throttle stop screw (1).

Idle Speed: $1,300 \pm 100$ rpm

Spark Plug

Refer to *Safety Precautions* on page 45.

Spark Plug Recommendation

The recommended standard spark plug is satisfactory for most riding conditions. However, if you plan to ride for extended periods at high speeds or near maximum power (high engine rpm) in hot climates, or plan extended riding in cold climates, a different plug may be recommended.

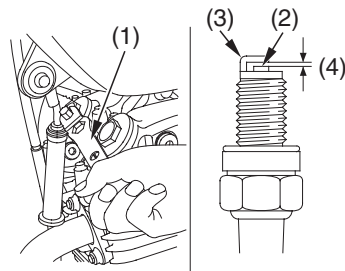
Standard	CR9EH-9 (NGK) or U27FER9 (DENSO)
For cold climate (below 5°C, 41°F)	CR8EH-9 (NGK) or U24FER9 (DENSO)

Use only the recommended type of spark plugs in the recommended heat range.

NOTICE

Using spark plugs with an improper heat range can cause engine damage.

LEFT
SIDE



- (1) multi-purpose wrench
- (2) center electrode
- (3) side electrode
- (4) spark plug gap

1. Clean any dirt from around the spark plug base.

2. Disconnect the spark plug cap.
3. Remove the spark plug with the multi-purpose wrench (1) provided with your motorcycle.
4. Inspect the spark plug electrodes for wear. The center electrode (2) should have square edges. The side electrode (3) should not be eroded. The insulator should not be cracked or chipped.
5. Check the spark plug gap (4), using a wire-type feeler gauge. If adjustment is necessary, bend the side electrode carefully. The gap should be:
0.031—0.035 in (0.80—0.90 mm)
Make sure the plug washer is in good condition.
If you have to install a new plug, first check the gap.
6. With the plug washer attached, thread the spark plug in by hand (to prevent cross-threading).
7. Tighten the spark plug:
 - about 1/8-1/4 turn after it seats (if the old plug is good).
 - about 1/2 turn after it seats (if installing a new plug).

NOTICE

Improperly tightened spark plugs can damage the engine. Too loose, you can burn a piston. Too tight, you can damage the threads.

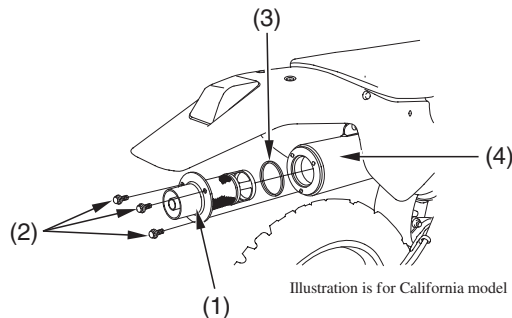
Spark Arrester

Refer to *Safety Precautions* on page 45.

The spark arrester must be serviced every 100 operating hours to maintain its efficiency.

Regular servicing prevents carbon buildup (which can diminish engine performance) and also complies with USDA regulations for regular maintenance to assure proper function. The spark arrester prevents random sparks from the combustion process in your engine from reaching the environment.

RIGHT REAR



- (1) spark arrester
- (2) bolts
- (3) gasket
- (4) muffler

1. Allow the engine and muffler to cool.
2. Remove the three bolts (2), the spark arrester (1), and the gasket (3) from the muffler (4).

Spark Arrester

3. Use a brush to remove carbon deposits from the spark arrester screen. Be careful to avoid damaging the spark arrester screen. The spark arrester must be free of breaks and holes. Replace, if necessary. Check the gasket. Replace, if necessary.

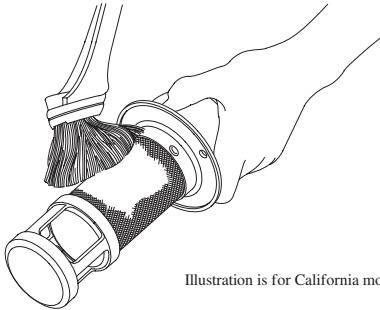


Illustration is for California model

4. Install the spark arrester and the gasket in the muffler and tighten the three bolts securely.

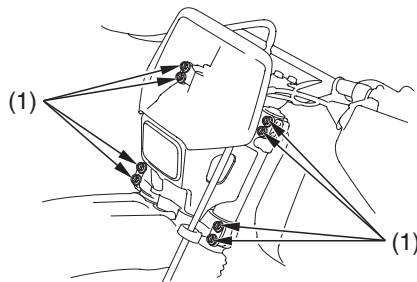
Suspension

Refer to *Safety Precautions* on page 45.

Loose, worn, or damaged suspension components may adversely affect the handling and stability of your motorcycle. If any suspension components appear worn or damaged, see your Honda dealer for further inspection. Your dealer is qualified to determine whether or not replacement parts or repairs are needed.

Front Suspension Inspection

FRONT



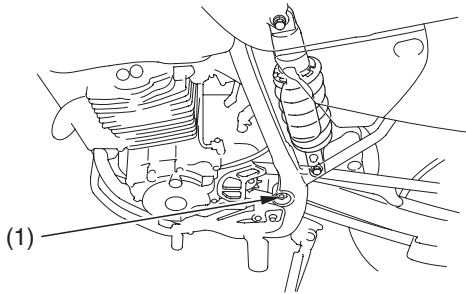
(1) mounting bolts

1. Check fork operation. Pull the front brake lever in, to lock the brake. Then pump up and down on the fork legs several times. The suspension should function smoothly. There should be no oil leakage.

2. Check the security of all handlebar and fork mounting bolts (1). If any front suspension components appear worn or damaged, see your Honda dealer for further inspection.

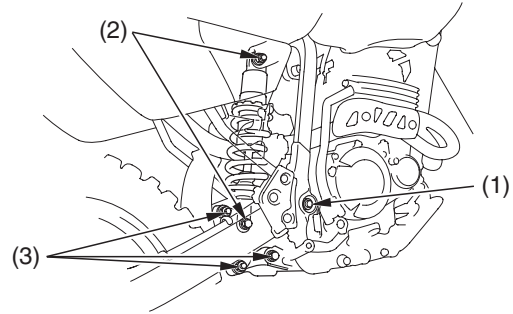
Rear Suspension Inspection

LEFT SIDE



(1) swingarm bearing

RIGHT SIDE



- (1) swingarm bearing
- (2) shock absorber attachment points
- (3) suspension linkage attachment points

1. Place the motorcycle on a maintenance stand. Push hard against the side of the rear wheel and feel for any freeplay which indicates worn swingarm bearings (1).

(cont'd)

Suspension

2. Check that the fasteners for the shock absorber attachment points (2) and rear suspension linkage attachment points (3) are secure.
3. Check for oil leaks in the shock absorber. If any rear suspension components appear worn or damaged, see your Honda dealer for further inspection.

Front Suspension Adjustment

The front suspension can be adjusted for the rider's weight and riding conditions by changing the oil volume and compression damping. Use the following chart to determine the correct adjustment for you.

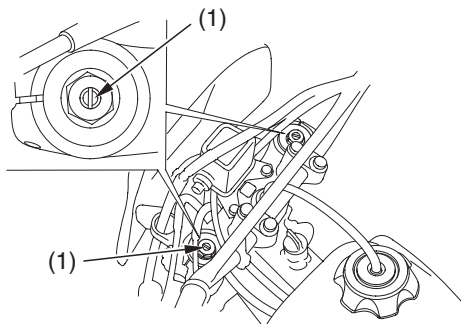
Condition	Oil Volume	Comp. Damp.
Entire range of travel is too hard.	—	softer
Entire range of travel is too soft (bottoming).	—	stiffer
Initial travel is good, but the final stages of travel are too soft (bottoming).	increase	—
The initial stages of travel are good, but the final stages are hard.	reduce	—
The initial stages of travel are too soft, but the final stages are good.	reduce	stiffer
The initial stages of travel are too hard, but the final stages are good.	increase	softer

Suspension

Front Suspension Air Pressure

The standard air pressure is 0 psi (0 kPa, 0 kgf/cm²). You may relieve accumulated air pressure in the fork legs by using the pressure release screws. The front wheel should be off the ground before you release the pressure.

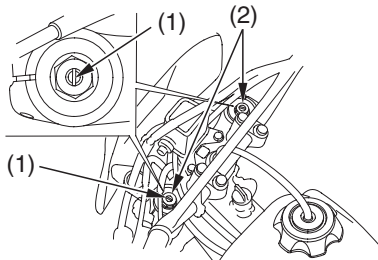
FRONT



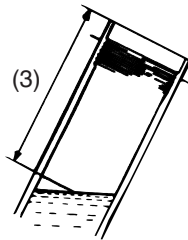
(1) pressure release screws

1. Raise the front wheel off the ground by placing a support block under the engine.
2. Remove the pressure release screws (1).
3. Check that the O-ring is in good condition.
4. Install the pressure release screws.

Front Suspension Oil Volume



- (1) pressure release screws
- (2) fork caps



- (3) oil level

Low oil levels provide a soft ride. Use a low oil level for easy terrain and smooth riding conditions. High oil levels provide a firm ride. Use a high oil level for heavy loads and rough riding conditions.

1. Raise the front wheel off the ground by placing a support block under the engine.
2. Remove the pressure release screws (1) to release any accumulated air pressure.
3. Remove the fork caps (2) and springs from the fork tubes. Inspect the O-rings on the fork caps and replace them if they are damaged.

The fork caps are under extreme spring pressure. Use care when removing the caps and wear eye and face protection.

(cont'd)

Suspension

4. Compress the fork all the way and measure the oil level (3) from the top of the tubes.

Standard oil level:

3.2 in (82 mm)

To lower the oil level (decrease volume), use a syringe. Add oil with a graduated beaker for accurate measurements.

The recommended oil level range is:

3.0 – 4.3 in (77 – 108 mm)

Increase or decrease oil in increments of:

0.14 US oz (4.0 cm³)

To prevent fork damage, do not fill past the recommended maximum level.

To prevent poor performance, do not use a level lower than the recommended minimum.

5. Be sure the oil level is the same in both fork tubes.

6. Clean and dry the fork springs with a lint-free cloth. Install the fork springs. Oil the fork cap O-rings and install the fork caps.

Torque the fork caps to:

22 lbf·ft (29 N·m , 3.0 kgf·m)

Front Suspension Damping

Compression Damping

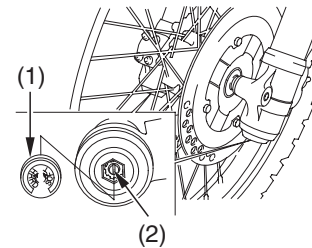
Compression damping affects how quickly the fork compresses.

The compression damping adjuster has at least 19 positions (clicks). Turning the adjuster knob one full turn advances the adjuster 4 positions.

Always start with the full hard position when adjusting damping.

To adjust to the standard position:

LEFT
FRONT



(1) cap
(2) compression damping adjuster

1. Remove the cap (1).
2. Turn the adjuster (2) clockwise until it will no longer turn (lightly seats). This is the full hard position.
3. Turn the adjuster counterclockwise 7 clicks. This is the standard position.
4. Make sure that both fork legs are adjusted to the same position.

Suspension

Rear Suspension Adjustment

The rear suspension can be adjusted for the rider's weight and riding conditions by changing the spring pre-load and the rebound and compression damping. Use the following chart to determine the correct adjustment for you.

The rear shock absorber assembly includes a damper unit that contains high pressure nitrogen gas. Do not attempt to disassemble, service, or dispose of the damper; see your Honda dealer. The instructions found in this owner's manual are limited to adjustments of the shock assembly only.

Suspension

Condition	Step 1	Step 2	Step 3
Bottoming	shorten the spring length (to increase pre-load)	turn the compression adjuster to a stiffer position (to increase damping force)	
Soft	turn the compression adjuster to a stiffer position (to increase damping force)	shorten the spring length (to increase pre-load)	turn the rebound adjuster to a stiffer position (to increase damping force)
Hard	increase the spring length (to decrease pre-load)	turn the compression adjuster to a softer position (to decrease damping force)	turn the rebound adjuster to a softer position (to decrease damping force)
Excessive Sinking	shorten the spring length (to increase pre-load)		

Make changes one step at a time. Test ride your motorcycle after each adjustment. If necessary, proceed to the next step.

Suspension

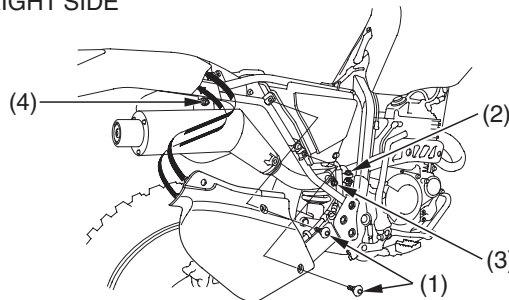
Rear Suspension Spring Pre-Load

Pre-load should be adjusted when the engine is cold because it is necessary to remove the muffler.

An optional pin spanner is available for turning the lock nut and adjusting nut to adjust spring pre-load.

1. Remove the seat (page 60).
2. Remove the right side cover (page 58).
3. Remove the muffler by loosening the muffler clamp bolt (2) and removing the lower (3) and upper muffler bolts (4). Pull the muffler away from the exhaust pipe.

RIGHT SIDE



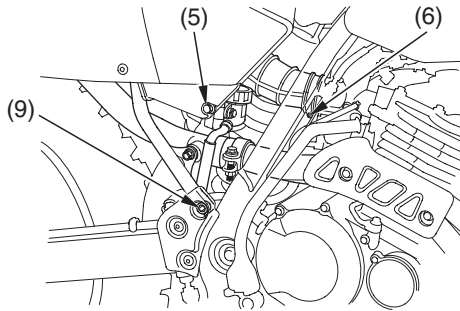
- | | |
|------------------------|--------------------------|
| (1) side cover bolts | (3) muffler bolt (lower) |
| (2) muffler clamp bolt | (4) muffler bolt (upper) |

4. Remove the rear brake fluid reservoir stay mount bolt (5). Make sure you keep the reservoir in a level position throughout the procedure to prevent air entering the brake system.
5. Loosen the screw (6) on the air cleaner connecting tube clamp and remove the air cleaner connecting tube from the carburetor.

Suspension

Be careful not to allow dust into the carburetor.
Severe engine damage could result.

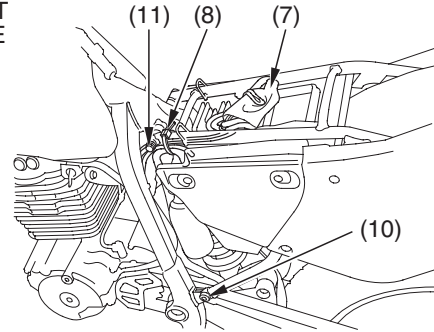
RIGHT
SIDE



- (5) bolt
- (6) screw
- (9) subframe lower side bolt

6. Disconnect the electrical connectors (7).

LEFT
SIDE



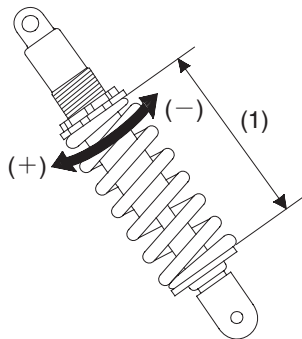
- (7) electrical connectors
- (8) rubber band and clip
- (10) subframe lower side bolt
- (11) subframe upper bolt

7. Loosen the rubber band and clip (8).
8. Remove the three subframe mounting bolts (9) (10) (11).
9. Remove the subframe by pulling it straight back.

(cont'd)

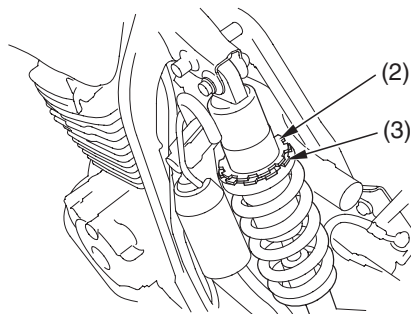
Suspension

10. Raise the rear wheel off the ground by placing a support block under the engine.
11. Measure the spring length (1).
Standard: 7.15 in (181.5 mm)
Minimum: 6.83 in (173.5 mm)
Maximum: 7.30 in (185.5 mm)



- (1) spring length
(+) increase preload
(-) decrease preload

12. To increase spring pre-load:
Loosen the lock nut (2) with the optional pin spanner and turn the adjusting nut (3) to shorten the spring length. Do not shorten to less than:
6.83 in (173.5 mm)



- (2) lock nut
(3) adjusting nut

To decrease spring pre-load:

Loosen the lock nut (2) with the optional pin spanner and turn the adjusting nut (3) to increase the spring length. Do not increase to more than:

7.30 in (185.5 mm)

Each turn of the adjuster changes spring length and spring pre-load. One turn equals: spring length/spring pre-load:

0.06 in (1.5 mm) / 37.3 lbs (16.9 kg)

13. Tighten the lock nut and install the removed parts.

To install the removed parts:

1. Install the subframe. Tighten the three bolts to the specified torque:
Subframe upper bolt (11):
20 lbf·ft (26 N·m , 2.7 kgf·m)
Subframe lower side bolts (9) (10):
31 lbf·ft (42 N·m , 4.3 kgf·m)

If a torque wrench is not used for this installation, see your Honda dealer as soon as possible to verify proper assembly.

2. Connect the electrical connectors by matching the cable colors.
3. Reinstall the band and the clip.
4. Tighten the air cleaner connecting tube clamp and the rear brake fluid reservoir stay mount bolt.

(cont'd)

Suspension

5. Install the muffler and tighten the bolts.

Be careful not to damage the packing installed inside the muffler clamp.

Tighten to the specified torque:

Muffler clamp bolt (2):

14 lbf·ft (20 N·m , 2.0 kgf·m)

Muffler bolt (lower) (3):

24 lbf·ft (32 N·m , 3.3 kgf·m)

Muffler bolt (upper) (4):

24 lbf·ft (32 N·m , 3.3 kgf·m)

If a torque wrench is not used for this installation, see your Honda dealer as soon as possible to verify proper assembly.

6. Reinstall the side cover and seat.

Rear Suspension Damping

Rebound Damping

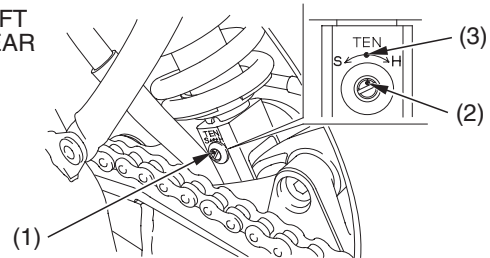
The rebound damping adjuster is located at the lower end of the shock absorber.

It has at least 20 positions. Turning the adjuster one full turn advances the adjuster 4 positions.

To avoid damage to the damping adjuster, do not keep it in the full hard position.

To adjust to the standard position:

LEFT
REAR



- (1) rebound damping adjuster
- (2) punch mark
- (3) reference mark

1. Turn the adjuster (1) clockwise until it will no longer turn (lightly seats). This is the full hard position.
2. Turn the adjuster counterclockwise 7–10 clicks until the punch mark (2) on the adjuster aligns with the reference mark (3) at the lower end of the shock absorber.

(cont'd)

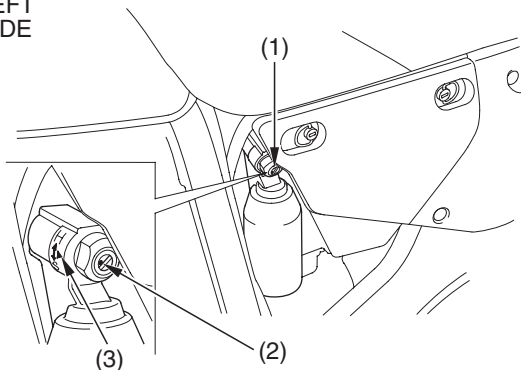
Suspension

Compression Damping

The compression damping adjuster has at least 20 positions. Turning the adjuster one full turn advances the adjuster 4 positions.

To adjust to the standard position:

LEFT
SIDE



- (1) compression damping adjuster
- (2) punch mark
- (3) reference mark

1. Turn the adjuster (1) clockwise until it will no longer turn (lightly seats). This is the full hard position.
2. Turn the adjuster counterclockwise 9–12 clicks until the punch mark (2) on the adjuster aligns with the reference mark (3).

Refer to *Safety Precautions* on page 45.

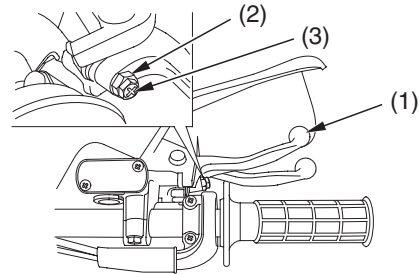
Both the front and rear brakes are the hydraulic disc type. As the brake pads wear, the brake fluid level will drop. A leak in the system will also cause the level to drop.

Frequently inspect the system to ensure there are no fluid leaks. Periodically inspect the brake fluid level and the brake pads for wear.

If the front brake lever or rear brake pedal freeplay does not feel within the normal range while riding, check the brake pads. If they are not worn beyond the recommended limit (page 108), there is probably air in the brake system. See your Honda dealer to have the air bled from the system.

Front Brake Lever Adjustment

RIGHT SIDE



(1) front brake lever

(2) lock nut

(3) adjuster

Never use adjusters other than those designed for this motorcycle. Install a new adjuster from the lever side with the lock nut under the head of the adjuster.

(cont'd)

Brakes

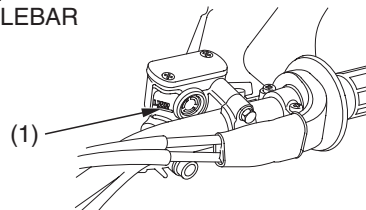
1. Loosen the lock nut (2).
2. To position the brake lever farther away from the handgrip, turn the adjuster (3) clockwise.
To position the brake lever closer to the handgrip, turn the adjuster counterclockwise.
3. Tighten the lock nut.
4. Apply the brake, release it, then spin the wheel and check that it rotates freely. Repeat this procedure several times.
5. Check freeplay by pulling in slowly on the front brake lever until the brake starts to engage.
Freeplay: $3/8 - 1 \ 3/16$ in (10 – 30 mm)

If brake lever freeplay is not within this range, see your Honda dealer.

Fluid Level Inspection

Front Brake Fluid Level

RIGHT
HANDLEBAR



(1) LOWER level mark

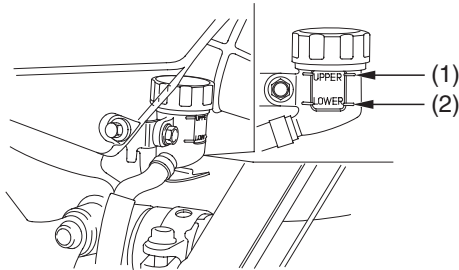
With the motorcycle in an upright position, check the fluid level.
It should be above the LOWER level mark (1).
If the level is at or below the LOWER level mark, check the brake pads for wear (page 108).

Worn brake pads should be replaced. If the pads are not worn, have your brake system inspected for leaks.

The recommended brake fluid is Honda DOT 4 brake fluid from a sealed container, or an equivalent.

Rear Brake Fluid Level

RIGHT SIDE



- (1) UPPER level mark
- (2) LOWER level mark

With the motorcycle in an upright position, check the fluid level.

It should be between the UPPER (1) and LOWER (2) level mark. If the level is at or below the LOWER level mark, check the brake pads for wear (page 108).

Worn brake pads should be replaced. If the pads are not worn, have your brake system inspected for leaks.

The recommended brake fluid is Honda DOT 4 brake fluid from a sealed container, or an equivalent.

Other Inspections

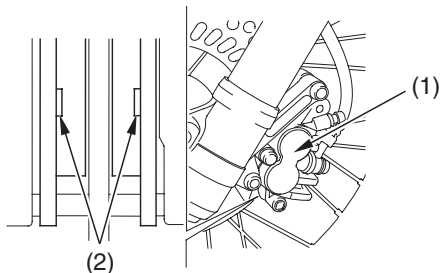
- Make sure there are no fluid leaks.
- Check for deterioration or cracks in the hoses and fittings.

Brakes

Brake Pad Wear

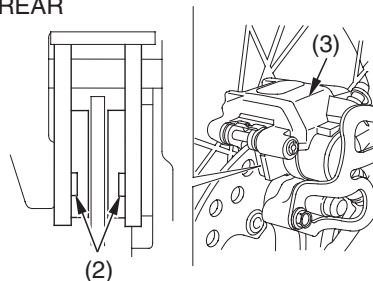
Brake pad wear depends on the severity of usage, the type of riding, and riding area conditions. (Generally, the pads will wear faster on wet and dirty riding terrain.) Inspect the pads at each regular maintenance interval (page 50).

LEFT FRONT



- (1) front brake caliper
- (2) cutout

RIGHT REAR



- (2) cutout
- (3) rear brake caliper

Check the cutout (2) in each pad. If either pad is worn to the cutout, replace both pads as a set. See your Honda dealer for this service.

Other Inspections

Check that the front lever and rear pedal assemblies are positioned properly and the securing bolts are tight.

More About: Brake Fluid

Brake fluid should be added and replaced by your Honda dealer.

The recommended brake fluid is Honda DOT 4 Brake Fluid, or any brake fluid of equal quality and performance. Use fresh brake fluid from a sealed container.

Wheels

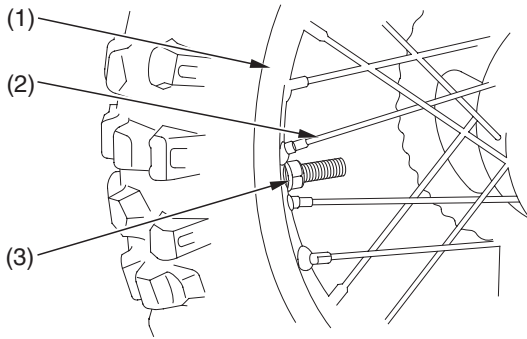
Refer to *Safety Precautions* on page 45 .

Maintenance of spoke tension and wheel trueness (roundness) is critical to safe motorcycle operation. During the first 100 miles (150 km), spokes will loosen more rapidly due to the initial seating of the parts. Excessively loose spokes may result in instability at high speeds and the possible loss of control. It's also important that the rim locks are secure to prevent tire slippage.

It is not necessary to remove the wheels to perform the recommended service in the Maintenance Schedule. However, information for wheel removal is provided for emergency situations.

Wheel Rims & Spokes

REAR



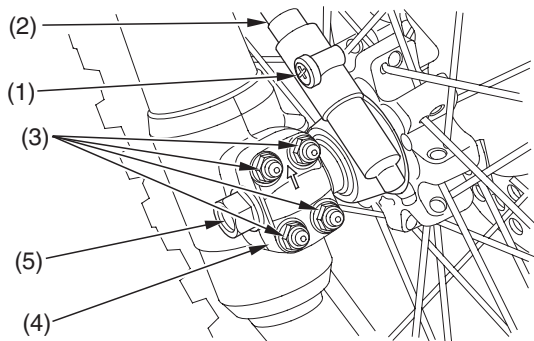
- (1) wheel rim
- (2) spoke
- (3) rim lock

1. Inspect the wheel rims (1) and spokes (2) for damage.
2. Tighten any loose spokes or rim locks (3).
3. Rotate the wheel slowly to see if it appears to “wobble.” If it does, the rim is out of round or not “true.” If the wobble is noticeable, see your Honda dealer for inspection.

Wheels

Front Wheel Removal

RIGHT FRONT



(1) tripmeter cable set screw
(2) tripmeter cable

(3) axle holder nuts
(4) axle holder
(5) front axle

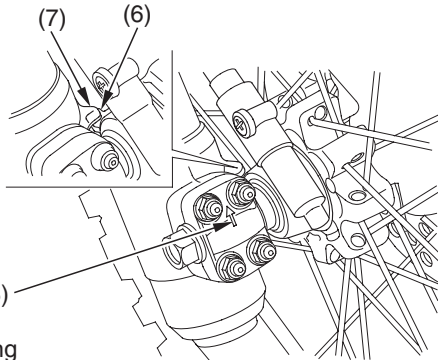
Removal

1. Raise the front wheel off the ground by placing a maintenance stand or support block under the engine. Secure the rear of the motorcycle with tie-down straps.
2. Remove the tripmeter cable set screw (1) and disconnect the tripmeter cable (2).
3. Remove the front axle holder nuts (3) and the front axle holder (4).
4. Unscrew and remove the axle (5). Remove the wheel.

Avoid depressing the brake lever and brake pedal when the wheel is off the motorcycle. This will force the caliper pistons out of the cylinders. The result will be loss of brake fluid. If this occurs, the brake system will require service. See your Honda dealer for this service.

Installation

RIGHT FRONT



- (6) tang
- (7) tang
- (8) UP mark

1. Reverse the removal procedure. Insert the axle through the wheel hub and left fork leg. Make sure the tang (6) on the tripmeter gearbox is located behind the tang (7) on the right fork leg.

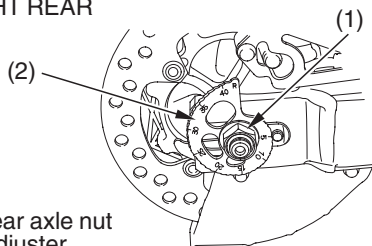
2. Torque the axle to:
54 lbf·ft (74 N·m , 7.5 kgf·m)
3. Install the axle holder with the UP mark (8) upward and first tighten the upper holder nuts to the specified torque, then tighten the lower axle nuts to the same torque:
9 lbf·ft (12 N·m , 1.2 kgf·m)
4. After installing the wheel, apply the brake several times and then check if the wheel rotates freely. Recheck the wheel if the brake drags or if the wheel does not rotate freely. Check front brake adjustment (page 105).

If a torque wrench was not used to install the wheel, see your Honda dealer as soon as possible to verify proper assembly. Improper assembly may lead to loss of braking capacity.

Wheels

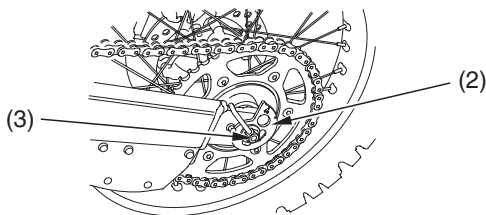
Rear Wheel Removal

RIGHT REAR



(1) rear axle nut
(2) adjuster

LEFT REAR



(2) adjuster
(3) rear axle

Removal

1. Raise the rear wheel off the ground by placing a maintenance stand or support block under the engine. Secure the front of the motorcycle with tie-down straps.
2. Remove the brake hose guide.
3. Loosen the rear axle nut (1) while holding the axle.
4. Turn both adjusters (2) so the rear wheel can be moved all the way forward for maximum drive chain slack.
5. Move the rear wheel forward. Derail the drive chain from the driven sprocket.
6. Move the rear axle (3) back all the way to the swingarm end. Pull down on the rear axle.

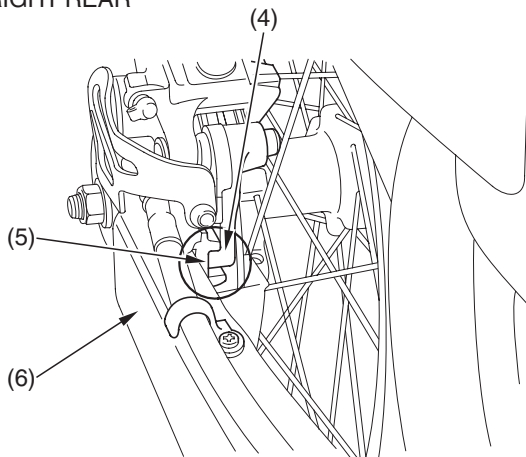
7. Remove the rear wheel with the rear axle.
Avoid depressing the brake lever and brake pedal when the wheel is off the motorcycle. This will force the caliper pistons out of the cylinders. The result will be loss of brake fluid. If this occurs, the brake system will require service. See your Honda dealer for this service.

(cont'd)

Wheels

Installation

RIGHT REAR



- (4) lug
- (5) slot
- (6) swingarm

1. Reverse the removal procedure. Make sure the lug (4) on the brake caliper is located in the slot (5) in the swing arm (6). Check that the chain adjusters are installed properly.
2. Torque the axle nut to:
69 lbf·ft (93 N·m , 9.5 kgf·m)
3. Adjust the drive chain (page 125).
4. Apply the rear brake, release it, then spin the wheel and check that it rotates freely. Repeat this procedure several times.

If a torque wrench was not used to install the wheel, see your Honda dealer as soon as possible to verify proper assembly. Improper assembly may lead to loss of braking capacity.

Refer to *Safety Precautions* on page 45.

To safely operate your motorcycle, the tires must be the proper type (off-road) and size, in good condition with adequate tread, and correctly inflated.

WARNING

Using tires that are excessively worn or improperly inflated can cause a crash in which you can be seriously hurt or killed.

Follow all instructions in this owner's manual regarding tire inflation and maintenance.

The following pages give detailed information on how and when to check your air pressure, how to inspect your tires for wear and damage,

and our recommendations on tire repair and replacement.

Air Pressure

Properly inflated tires provide the best combination of handling, tread life, and riding comfort. Generally, underinflated tires wear unevenly, adversely affect handling, and are more likely to fail from being overheated. Underinflated tires can also cause wheel damage in rocky terrain. Overinflated tires make your motorcycle ride more harshly, are more prone to damage from surface hazards, and wear unevenly.

Make sure the valve stem caps are secure. If necessary, install a new cap.

(cont'd)

Tires & Tubes

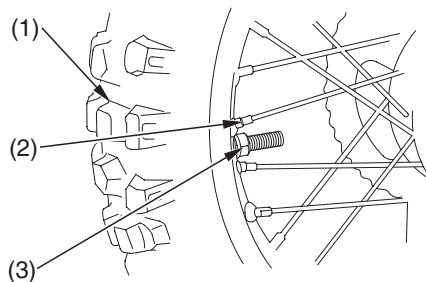
Always check air pressure when your tires are “cold.” If you check air pressure when your tires are “warm” — even if your motorcycle has only been ridden for a few miles — the readings will be higher. If you let air out of warm tires to match the recommended cold pressures, the tires will be underinflated. The correct “cold” tire pressures are:

Front	15 psi (100 kPa , 1.0 kgf/cm ²)
Rear	15 psi (100 kPa , 1.0 kgf/cm ²)

If you decide to adjust tire pressures for a particular riding condition, make changes a little at a time.

Inspection

A flat tire or blowout is inconvenient and may even cause an accident. Take time to inspect your tires and wheels before you ride. For more information about handling flat tires, see page 148.



- (1) tire tread depth
- (2) spoke nut
- (3) rim lock nut

- Inspect carefully for bumps or bulges in the side of the tire or the tread. Replace any tire that has a bump or bulge.
- Look closely for cuts, slits, or cracks in the tires. Replace a tire if you can see fabric or cord.
- Check for rocks or other objects embedded in the tire or tread. Remove any objects.
- Measure tread depth (1). Replace the tire before depth at the center reaches 0.12 in (3 mm), or any time you notice a reduction in traction.
- Check the position of both valve stems. A tilted valve stem indicates the tube is slipping inside the tire or the tire is slipping on the rim. See your Honda dealer.

Tube Replacement

If a tube is punctured or damaged, you should replace it as soon as possible. A repaired tube may not have the same reliability as a new one, and it may fail while you are riding. For information on making a temporary repair, see page 148 .

Use a replacement tube equivalent to the original.

We recommend that tubes be replaced by your Honda dealer. Replacing a tube requires removing and reinstalling the wheel. Any time a tube is replaced, carefully inspect the tire as described on page 118 .

Tires & Tubes

Tire Replacement

The tires that came on your motorcycle were designed to provide a good combination of handling, braking, durability, and comfort across a broad range of riding conditions.

WARNING

Installing improper tires on your motorcycle can affect handling and stability. This can cause a crash in which you can be seriously hurt or killed.

Always use the size and type of tires recommended in this owner's manual.

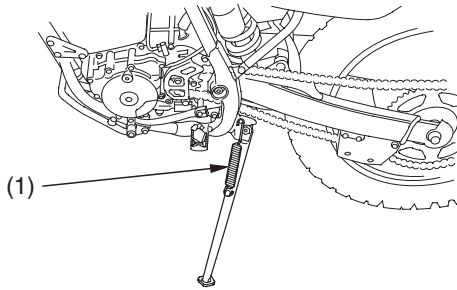
Front	80/100-21M/C 51M
Rear	100/100-18M/C 59M

- Use a replacement tire equivalent to the original.
- Replace the tube any time you replace a tire. The old tube will probably be stretched and, if installed in a new tire, could fail.
- Have the wheel balanced after a new tire is installed.
- We recommend that tires be replaced by your Honda dealer.

Side Stand

Refer to *Safety Precautions* on page 45 .

LEFT SIDE



(1) side stand spring

1. Check the side stand spring (1) for damage and loss of tension.
2. Check the side stand assembly for freedom of movement.

If the side stand is stiff or squeaky, clean the pivot area and lubricate the pivot bolt with clean engine oil.

Drive Chain

Refer to *Safety Precautions* on page 45.

The service life of the chain depends on proper lubrication and adjustment. Poor maintenance can cause premature wear or damage to the drive chain or sprockets.

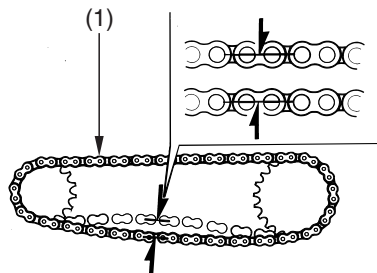
Under severe usage, or when the motorcycle is ridden in unusually dusty or muddy areas, more frequent maintenance will be necessary.

Before servicing your drive chain, turn the engine OFF, lower the side stand, and check that your transmission is in neutral.

It is not necessary to remove or replace the drive chain to perform the recommended service in the Maintenance Schedule.

Inspection

LEFT SIDE



(1) drive chain

1. Check slack in the lower drive chain (1) run midway between the sprockets. Drive chain slack should allow the following vertical movement by hand:
1 3/16 – 1 9/16 in (30 – 40 mm)

2. Check drive chain slack at several points along the chain. The slack should remain constant. If it isn't, some links may be kinked and binding. Lubricating the chain will often eliminate binding and kinking.

NOTICE

Excessive chain slack may allow the drive chain to damage the engine cases.

3. Inspect the drive chain for:

- damaged rollers
- loose pins
- dry or rusted links
- kinked or binding links
- excessive wear
- damaged or missing O-rings

Replace the drive chain (page 127) if it has damaged rollers, loose pins, or kinks that cannot be freed. Lubricate the drive chain (page 126) if it appears dry or shows signs of rust. Lubricate any kinked or binding

links and work them free. Adjust chain slack if needed.

4. Check the chain slipper (2) and chain guide slider (3) for wear. If the depth (4) of the groove in the chain slipper exceeds the depth limit, have your Honda dealer replace the slipper.

Chain slipper depth limit:

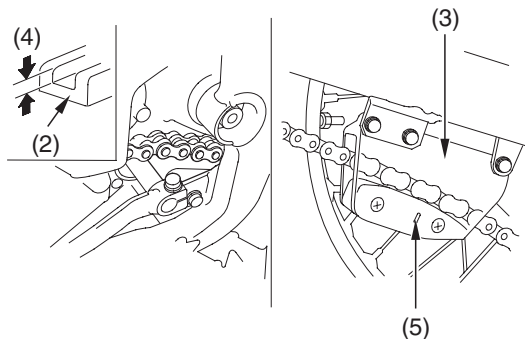
0.3 in (8 mm)

Replace the chain guide slider if the chain is visible through the wear inspection window (5).

(cont'd)

Drive Chain

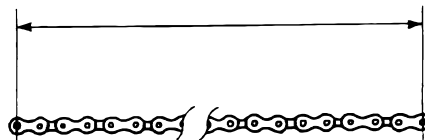
LEFT SIDE



- (2) chain slipper
- (3) chain guide slider
- (4) depth
- (5) wear inspection window

5. Replace the drive chain if chain slack is excessive when the rear axle is moved to the farthest limit of adjustment. Excessive slack indicates the chain is worn beyond its service limit.

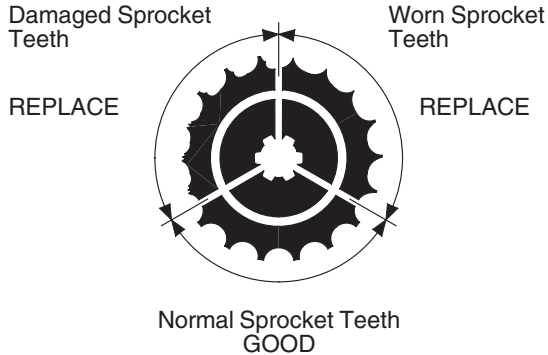
To check the chain's service limit, remove the drive chain (page 127). Then measure the distance between a span of 104 pins, from pin center to pin center. If the distance exceeds the service limit, the drive chain is worn out and should be replaced.



Measure a span of 104 pins

New Chain: 65.0 in (1,651 mm)
Service Limit: 65.3 in (1,659 mm)

6. Inspect the front and rear sprocket teeth for excessive wear or damage. If necessary, have your Honda dealer replace a worn sprocket.

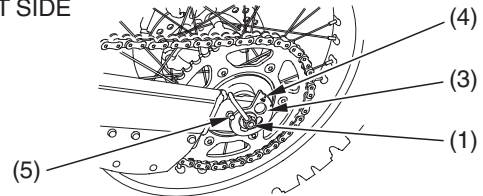


NOTICE

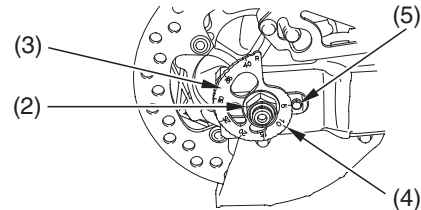
Use of a new chain with worn sprockets will cause rapid chain wear.

Adjustment

LEFT SIDE



RIGHT SIDE



(1) axle
(2) axle nut

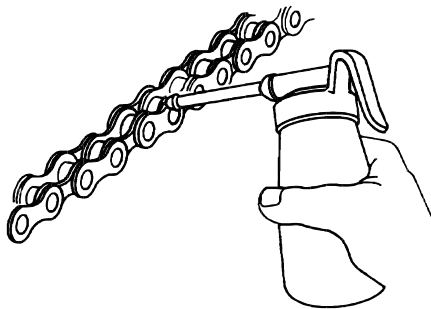
(3) chain adjuster
(4) index mark
(5) stopper pin

(cont'd)

Drive Chain

1. Hold the axle (1) and loosen the rear axle nut (2).
2. Turn both the right and left adjusters (3) equally to increase or decrease chain slack.
3. After adjusting, be sure the same adjuster index marks (4) align with the stopper pins (5) on both sides of the swingarm.
4. Turn the axle end bar to the lower edge of the swing arm.
5. Torque the rear axle nut to:
69 lbf·ft (93 N·m , 9.5 kgf·m)
If a torque wrench is not used for this installation, see your Honda dealer as soon as possible to verify proper assembly.
6. Recheck drive chain slack.

Lubrication

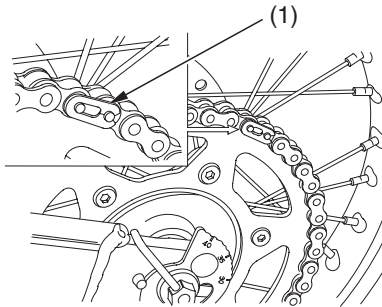


Lubricate every 300 miles (500 km) or sooner if chain appears dry.
The O-rings in this chain can be damaged by steam cleaning, high pressure washers, and certain solvents.

Lubricate only with SAE 80 or 90 gear oil. Commercial chain lubricants may contain solvents which could damage the rubber O-rings.

Removal, Cleaning & Replacement

LEFT SIDE



(1) master link retaining clip

When the drive chain becomes extremely dirty, it should be removed and cleaned prior to lubrication.

1. Remove the master link retaining clip (1) with pliers. Do not bend or twist the clip. Remove the master link and O-rings. Remove the drive chain.
2. Clean the side surfaces of the chain with a dry cloth. Do not brush the rubber O-rings. Brushing will damage them. Use of a solvent may also damage the O-rings.
3. Inspect the drive chain for possible wear or damage. Replace the drive chain if it has damaged rollers, loose fitting links, or otherwise appears unserviceable.

Replacement chain:

D.I.D. 520VC5 or RK 520MOZ9

(cont'd)

Drive Chain

4. Inspect the sprocket teeth for wear or damage. We recommend replacing the sprocket whenever a new chain is installed.
5. Lubricate the drive chain.
6. Pass the chain over the sprockets and join the ends of the chain with the master link. Master links with O-rings have four O-rings fitted between the rollers and master link plates. For ease of assembly, hold the chain ends against adjacent rear sprocket teeth while inserting the master link. Install the master link retaining clip so that the closed end of the retaining clip will face the direction of forward wheel rotation.
7. Adjust the drive chain and rear brake pedal freeplay.

More About: Drive Chain

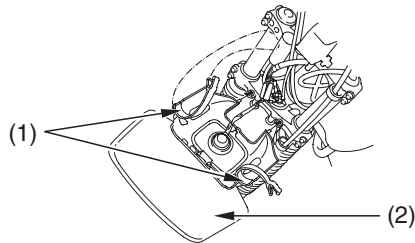
- The master link is the most critical element of drive chain security. Master links are reusable, as long as they remain in excellent condition. We recommend installing a new master link retaining clip when the drive chain is reassembled.
- You may find it easier to install a new chain by connecting it to the old chain with a master link and pulling the old chain to position the new chain on the sprockets.

Headlight & Taillight

Refer to *Safety Precautions* on page 45.

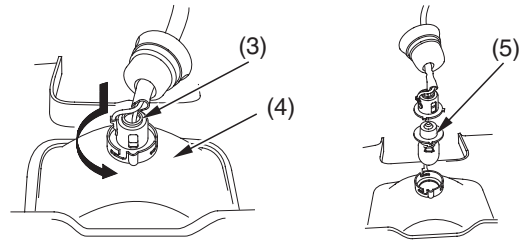
Headlight Bulb

FRONT



- (1) headlight mount bands
- (2) number plate

1. Remove the two headlight mount bands (1) and remove the front number plate (2).
2. Disengage the socket (3) from the headlight case (4). Remove the bulb (5) from the socket.



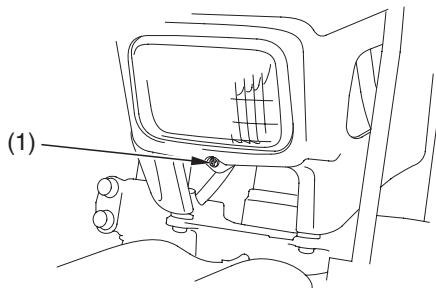
- (3) socket
- (4) headlight case
- (5) bulb

3. Install a new bulb, aligning the tab on the bulb with the groove on the headlight case.
4. To install the headlight, reverse the removal procedure.

Headlight & Taillight

Headlight Aim

FRONT

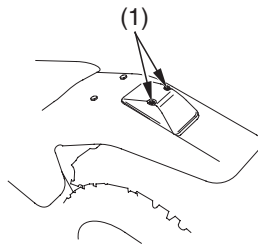


(1) adjusting screw

The headlight beam can be raised or lowered. Turn the adjusting screw (1) to move the headlight up or down to the proper adjustment.

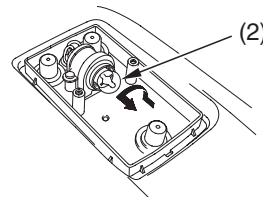
Taillight Bulb

LEFT REAR



(1) screws

REAR



(2) bulb

1. Remove the two screws (1).
2. Pull the lens off. Replace the bulb (2) with a new one.
3. Reinstall the lens.

Refer to *Safety Precautions* on page 45.

Frequent cleaning and polishing will keep your Honda looking newer longer. Frequent cleaning also identifies you as an owner who values your motorcycle. A clean motorcycle is also easier to inspect and service.

While you're cleaning, be sure to look for damage, wear, and gasoline or oil leaks.

General Recommendations

- To clean your motorcycle, you may use:
 - water
 - a mild, neutral detergent and water
 - a mild spray and wipe cleaner/polisher
 - a mild spray and rinse cleaner/degreaser and water
- Avoid products that contain harsh detergents or chemical solvents that could damage the metal, paint, and plastic on your motorcycle.
- If your motorcycle is still warm from recent operation, give the engine and exhaust system time to cool off.

(cont'd)

Appearance Care

- We recommend the use of a garden hose to wash your motorcycle. High pressure washers (like those at coin-operated car washes) can damage certain parts of your motorcycle. If you use a high pressure washer, avoid spraying the following areas:

wheel hubs
muffler outlet
area under seat
engine stop button
brake master cylinders
under fuel tank
drive chain
carburetor
instruments

NOTICE

High pressure water (or air) can damage certain parts of your motorcycle.

Washing Your Motorcycle with a Mild Detergent

1. Rinse your motorcycle thoroughly with cool water to remove loose dirt.
2. Fill a bucket with cool water. Mix in a mild, neutral detergent, such as dish washing liquid or a product made especially for washing motorcycles or automobiles.

3. Wash your motorcycle with a sponge or a soft towel. As you wash, check for heavy grime. If necessary, use a mild cleaner/ degreaser to remove the grime.
4. After washing, rinse your motorcycle thoroughly with plenty of clean water to remove any residue.
5. Dry your motorcycle with a chamois or a soft towel.
6. Lubricate the drive chain to prevent rusting.
7. Start the engine and let it idle for several minutes. The engine heat will help dry moist areas.
8. As a precaution, ride at a slow speed and apply the brakes several times. This will help dry the brakes and restore normal braking performance.

Exhaust Pipe Maintenance

The exhaust pipe is stainless steel, but may become stained by oil or mud. If necessary, remove heat stains with a liquid kitchen abrasive.

Here's helpful advice on how to prepare for an off-road adventure, how to transport and store your Honda, and how to be an environmentally responsible motorcycle owner.

Preparing for a Ride.....	136
Transporting Your Honda.....	138
Storing Your Honda.....	140
You & the Environment.....	143

Preparing for a Ride

A safe and enjoyable ride begins with good planning and preparation. Always ride with at least one other person in case you have trouble, and let someone know where you're going and when you expect to return.

Before riding in an unfamiliar area, find out in advance if you need special permits, get maps so you can study the terrain, and talk to other riders who know the area. The Forest Service and the Bureau of Land Management (USA only), the Ministry of Natural Resources (Canada only), riding clubs, and off-road magazines are good sources of information.

What to Take to the Riding Area

Along with your motorcycle and riding gear, you should take along some tools and supplies in case you have a problem. For some of the difficulties you might encounter, see *Taking Care of the Unexpected*, which begins on page 145 .

We recommend that you always take water, food, a first aid kit, and your owner's manual. Other items you should consider loading on your truck or trailer include:

- a tool kit
- tire repair supplies and tools, tubes, and tires
- extra parts, such as a drive chain and master links, control levers, cables, and spark plugs
- wire, duct tape, and rope
- extra gasoline

Preparing for a Ride

For safety, all refueling should be done at a gas station on the way to the riding area or at your base camp.

What to Take on the Trail

What you take with you during a ride depends on the kind of terrain, how long you expect to ride, how far you might go from your base camp or help, and how experienced you or your companions are in making repairs.

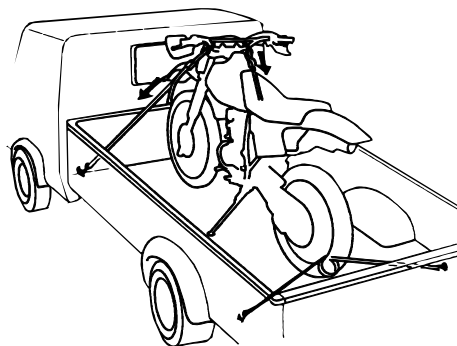
If you decide to take some tools, spare parts, or other supplies on the trail, be sure you can carry them safely and know how to use them. Also, be sure to follow the loading guidelines and weight limit (page 6).

(cont'd)

Transporting Your Honda

If you use a truck or motorcycle trailer to transport your Honda, we recommend that you follow these guidelines:

- Use a loading ramp.
- Make sure the fuel valve is off.
- Secure the motorcycle in an upright position, using motorcycle tie-down straps. Avoid using rope, which can loosen and allow the motorcycle to fall over.



To secure your motorcycle, brace the front wheel against the front of the truck bed or trailer rail. Attach the lower ends of two straps to the tie-down hooks on your vehicle. Attach the upper ends of the straps to the handlebar (one on the right side, the other on the left), close to the fork.

Transporting Your Honda

Check that the tie-down straps do not contact any control cables or electrical wiring.

Tighten both straps until the front suspension is compressed about half-way. Too much pressure is unnecessary and could damage the fork seals.

Use another tie-down strap to keep the rear of the motorcycle from moving.

We recommend that you do not transport your motorcycle on its side. This can damage the motorcycle, and leaking gasoline could be a hazard.

Storing Your Honda

If you won't be riding for an extended period, such as during the winter, thoroughly inspect your motorcycle and correct any problem before storing it. That way, needed repairs won't be forgotten and it will be easier to get your motorcycle running again.

For more information about storage, refer to the *Honda Motorcycle Winter Storage Guide*, available from your Honda dealer (USA only).

We suggest you perform the following procedures to keep your motorcycle in top condition. These storage procedures will reduce the deterioration that can occur during storage.

Storing Your Honda

Preparation for Storage

1. Change the engine oil and filter (page 68).
2. Fill the fuel tank. Make sure the fuel fill cap is properly installed.
3. Check that the fuel valve is OFF.
4. Drain the carburetor into an approved gasoline container and dispose of it in an approved manner (page 143). If storage will last longer than one month, carburetor draining is important, to assure proper performance after storage.
5. Wash and dry your motorcycle.

WARNING

Gasoline is highly flammable and explosive. You can be burned or seriously injured when handling fuel.

- Stop the engine and keep heat, sparks and flame away.
- Handle fuel only outdoors.
- Wipe up spills immediately.

Storing Your Honda

6. Lubricate the drive chain.
7. Inflate the tires to their recommended pressures (page 117).
8. Store your motorcycle in an unheated area, free of dampness, away from sunlight, with a minimum of daily temperature variation.
9. Cover your motorcycle with a porous material. Avoid using plastic or similar non-breathing, coated materials that restrict air flow and allow heat and moisture to accumulate.

Removal from Storage

1. Uncover and clean your motorcycle.
2. If your motorcycle has been stored for more than four months — change the engine oil (page 68).
3. If your motorcycle has been stored for more than two months — drain and replace the fuel.
4. Lubricate the drive chain.
5. Perform a pre-ride inspection (page 24), then test-ride your motorcycle at low speeds.

You & the Environment

Owning and riding a motorcycle can be enjoyable, but you must do your part to protect nature. When you show respect for the land, wildlife, and other people, you also help preserve the sport of off-road riding.

Following are tips on how you can be an environmentally-responsible motorcycle owner.

- **Tread Lightly.** Stay on existing roads and trails, avoid surfaces that are easily damaged, and ride only in areas approved for off-road vehicles.
- **Keep the Noise Down.** Loud motorcycles can be offensive. Ride as quietly as possible, don't remove your spark arrester, and don't modify the muffler or any other part of your air intake and exhaust systems. Such modifications not only increase noise, they also reduce engine performance and may be illegal.

- **Choose Sensible Cleaners.** Use a biodegradable detergent when you wash your motorcycle. Avoid aerosol spray cleaners that contain chlorofluorocarbons (CFCs) which damage the atmosphere's protective ozone layer. Don't throw cleaning solvents away; see the following guidelines for proper disposal.

You & the Environment

- **Recycle Wastes.** It's illegal and thoughtless to put used engine oil in the trash, down a drain, or on the ground. Used oil, gasoline, and cleaning solvents contain poisons that can hurt refuse workers and contaminate our drinking water, lakes, rivers, and oceans. Before changing your oil, make sure you have the proper containers. Put oil and other toxic wastes in separate sealed containers and take them to a recycling center. Call your local or state office of public works or environmental services to find a recycling center in your area and get instructions on how to dispose of non-recyclable wastes.

Taking Care of the Unexpected

With all the challenges you can encounter off-road, there's a chance that sometime something may go wrong. This section gives practical advice to help you deal with a wide range of problems. Take time to read this section before you ride. Also review the tips in *Preparing for a Ride* (page 136).

General Guidelines.....	146
If Your Engine Quits or Won't Start	147
If You Have a Flat Tire.....	148
If You Crash.....	149
If a Component Fails	150

Taking Care of the Unexpected

General Guidelines

If something goes wrong during a ride, the first thing to do is stop as soon as you safely can. Do not continue riding if you have a flat tire, or you hear an unusual noise, or your motorcycle just doesn't feel right. If you continue riding, you could cause more damage and endanger your own safety.

After a stop, take time to assess the situation. Carefully inspect your motorcycle to identify the problem, then consider your options before you decide what to do.

If a problem is relatively minor and you have the tools, supplies, and skills to make a permanent repair, you may be able to fix it on the trail and continue riding. Or, you may be able to make a temporary repair that allows you to slowly ride back to your base where you can make a permanent repair or get help.

When a problem is more serious — or you don't have the tools, supplies, experience, or time to deal with it — you need to choose the safest way to get yourself and your motorcycle back to base. For example, if you are close enough, you (or you and another person) might be able to push it back.

Whatever the problem, the most important rules are:

- Always put personal safety first.

Taking Care of the Unexpected

- If the problem is relatively minor and you have the tools, supplies, and skills to make a temporary repair, be sure to have permanent repairs made as soon as possible.
- Do not continue riding if you are hurt or your motorcycle is not in safe riding condition.

Additional recommendations for specific problems follow.

If Your Engine Quits or Won't Start

If the engine wasn't making any unusual noises before it quit running, and it feels normal when you operate the kickstarter, you can probably rule out a major mechanical problem.

The next area to check is the fuel system:

- Make sure there is enough gas in the tank and the fuel valve is at the ON or RESERVE position.
- Check the fuel fill cap vent tube to see if it is pinched or obstructed.
- Turn the fuel valve OFF, disconnect the fuel line that goes from the fuel valve to the carburetor, then momentarily turn the fuel valve ON. If fuel does not flow out, there is an obstruction in the fuel tank or the fuel valve.

If the fuel system appears to be okay, check the ignition system (this requires a spark plug wrench):

(cont'd)

Taking Care of the Unexpected

- Check that the spark plug cap isn't loose or disconnected.
- Disconnect the spark plug cap and remove the spark plug. Connect the spark plug cap to the spark plug and ground the threaded portion of the spark plug on the cylinder head.
- Operate the kickstarter while you watch the spark plug. If it sparks, the ignition system is probably working. If there is no spark, install a new spark plug, if you have one with you. If there is still no spark, there is a problem in the ignition system.

If you cannot identify or correct the problem, you will have to push your motorcycle back to your base or get some help.

If You Have a Flat Tire

How you handle a flat tire on the trail depends on how serious the tube or tire damage is, and what tools and supplies you have with you.

If you have a slow leak or a minor puncture, there are two ways to try making a temporary repair:

- Use an aerosol tire sealer to seal the puncture and inflate the tube. (This can be done without removing the tire or wheel.)
- Use a tube patch kit to repair the puncture. (This requires removing the tire.)

Taking Care of the Unexpected

If the leak is more serious, or a temporary repair doesn't hold, the tube must be replaced. The tire will also need to be replaced if it is damaged (page 119). Replacing a tube or tire involves removing and re-installing the wheel (pages 112, 114).

If you are unable to repair a flat tire on the trail, you will need to push the motorcycle back to your base or send for help. We strongly recommend that you do not try to ride with a flat tire. The motorcycle will be hard to handle, and if the tire comes off the rim, it may lock up the wheel and cause you to crash.

If You Crash

Personal safety is your first priority after an accident. If you or anyone else has been injured, take time to assess the severity of the injuries and whether it is safe to continue riding. If you cannot ride safely, send someone for help. Do not ride if you will risk further injury.

If you decide you are capable of riding safely, carefully inspect your motorcycle for damage and determine if it is safe to ride. Check the tightness of critical nuts and bolts securing such parts as the handlebar, control levers, brakes, and wheels.

(cont'd)

Taking Care of the Unexpected

If there is minor damage, or you are unsure about possible damage but decide to try riding the motorcycle back to your base, ride slowly and cautiously.

Sometimes, crash damage is hidden or not immediately apparent. When you get home, thoroughly check your motorcycle and correct any problems you find. Also, be sure to have your Honda dealer check the frame and suspension after any serious crash.

If a Component Fails

The drive chain, master link, brake lever or pedal, control cables, and other components can be damaged as you ride in dense brush or over rocky terrain. Making a trailside repair depends on how serious the damage is and what tools and supplies you have with you.

- If the drive chain comes off because the master link clip gets knocked off, you may be able to put the chain back on with a new master link. However, if the chain breaks or does other damage when it comes off, you may not be able to make a trailside repair.

Taking Care of the Unexpected

- If any component of the front brake system is damaged, you may be able to ride carefully back to your base using the rear brake for slowing or stopping.
- If the clutch lever breaks, you may be able to temporarily switch the front brake lever to the clutch side, then ride carefully back to base using the rear brake for slowing or stopping.
- If you damage a throttle cable or other critical component, your motorcycle may be unsafe to ride. Carefully assess the damage and make any repairs that you can. But if there is any doubt, it's best to be conservative and safe.

Technical Information

This section contains dimensions, capacities, and other technical data, plus information on government requirements and how to break-in your motorcycle.

Vehicle Identification	154
Specifications.....	156
Break-in Guidelines	161
High Altitude Carburetor Adjustment	162
Emission Control Systems	163
Oxygenated Fuels.....	167

Vehicle Identification

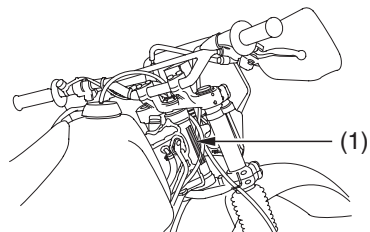
Serial Numbers

The frame and engine serial numbers are required when you register your motorcycle. They may also be required when ordering replacement parts. You may record these numbers in the *Quick Reference* section at the rear of the manual.

The frame number (1) is stamped on the right side of the steering head.

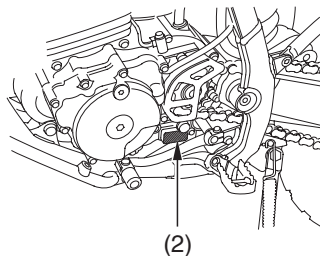
The engine number (2) is stamped on the left crankcase.

RIGHT SIDE



(1) frame number

LEFT SIDE



(2) engine number

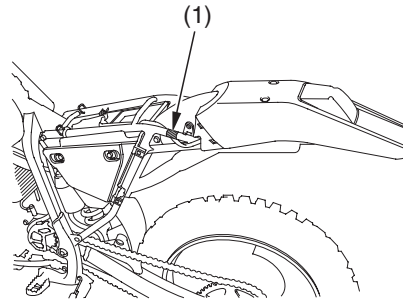
Vehicle Identification

Color Label & Code

The color label (1) is attached to the frame behind the left side cover (page 58).

The color code is helpful when ordering replacement parts. You may record the color and code in the *Quick Reference* section at the rear of the manual.

LEFT SIDE



(1) color label

Specifications

Dimensions	
Overall length	83.5 in (2,120 mm)
Overall width	32.7 in (830 mm)
Overall height	48.2 in (1,225 mm)
Wheelbase	55.1 in (1,400 mm)

Weight	
Dry weight	240 lbs (109 kg)

Fuel & Lubricants	
Fuel tank capacity	2.38 US gal (9.0 ℓ) including reserve
Fuel tank reserve	0.53 US gal (2.0 ℓ)
Fuel recommendation	unleaded gasoline, pump octane number of 92 or higher
Engine oil capacity	after draining: 1.4 US qt (1.3 ℓ) after draining & oil filter change: 1.5 US qt (1.4 ℓ) after disassembly: 1.8 US qt (1.7 ℓ)

Specifications

Fuel & Lubricants	
Engine oil recommendation	API Service Classification SG or higher except oils labeled as energy conserving on the circular API service label, SAE 20W-50/10W-40, JASO T 903 standard MA, Pro Honda GN4 or HP4 (without molybdenum additives) 4-stroke oil (USA & Canada) or Honda 4-stroke oil (Canada only), or an equivalent motorcycle oil
Drive chain lubricant	SAE 80 or 90 gear oil

Fuel & Lubricants (cont' d)	
Air cleaner oil	Pro Honda (USA only) or Honda (Canada only) Foam Filter Oil or an equivalent

Capacities	
Passenger capacity	operator only; no passenger
Maximum weight capacity	220 lbs (100 kg)
Cargo capacity	none
Fork oil capacity (each side)	16.1 US oz (477 cm ³)

Engine Specifications	
Displacement	15.2 cu-in (249 cm ³)
Bore & stroke	2.9 × 2.34 in (73 × 59.5 mm)
Compression ratio	10.2 : 1

Specifications

Engine Specifications	
Valve clearance (cold)	Intake: 0.004 in (0.10 mm) Exhaust: 0.005 in (0.12 mm)
Spark plug (standard)	CR9EH-9 (NGK) or U27FER9 (DENSO)
Spark plug (cold climate; below 5°C, 41°F)	CR8EH-9 (NGK) or U24FER9 (DENSO)
Spark plug gap	0.031 – 0.035 in (0.80 – 0.90 mm)
Idle speed	1,300 ± 100 rpm

Power Transmission	
Primary reduction	3.100
Gear ratio, 1st	2.769
2nd	1.941
3rd	1.450
4th	1.173
5th	0.960
6th	0.814
Final reduction	3.692
Standard sprocket sizes	drive (engine) sprocket: 13 teeth driven (rear wheel) sprocket: 48 teeth
Final drive	chain D.I.D. 520VC5 or RK 520MOZ9

Specifications

Power Transmission	
Drive chain freeplay	1 3/16 – 1 9/16 in (30 – 40 mm)
New chain length	65.0 in (1,651 mm) distance between a span of 104 pins
Used chain service limit length	65.3 in (1,659 mm) distance between a span of 104 pins

Chassis & Suspension	
Caster	24° 45'
Trail	3.6 in (92 mm)
Tire size, front	80/100-21M/C 51M
Tire size, rear	100/100-18M/C 59M
Tire pressure, front (cold)	15 psi (100 kPa , 1.0 kgf/cm ²)
Tire pressure, rear (cold)	15 psi (100 kPa , 1.0 kgf/cm ²)
Suspension, front	10.6 in (270 mm) cushion stroke
Suspension, rear	10.6 in (270 mm) axle travel

Specifications

Electrical	
Alternator	0.075 kW/5,000 rpm

Lights	
Headlight	12V-35W
Taillight	12V-5W

Torque Specifications	
Fork caps	22 lbf-ft (29 N·m , 3.0 kgf·m)
Crankcase oil drain bolt	18 lbf-ft (25 N·m , 2.5 kgf·m)
Frame oil drain bolt	29 lbf-ft (39 N·m , 4.0 kgf·m)
Oil filter bolt	9 lbf-ft (12 N·m , 1.2 kgf·m)
Rear wheel axle	69 lbf-ft (93 N·m , 9.5 kgf·m)
Front wheel axle	54 lbf-ft (74 N·m , 7.5 kgf·m)
Front wheel axle holder nuts	9 lbf-ft (12 N·m , 1.2 kgf·m)

Break-in Guidelines

Help assure your motorcycle's future reliability and performance by paying extra attention to how you ride during the first operating day or 15 miles (25 km). During this period, avoid full-throttle starts and rapid acceleration.

High Altitude Carburetor Adjustment

When operating this motorcycle at high altitude, the air-fuel mixture becomes overly rich. Above 6,500 feet (2,000 m), driveability and performance may be reduced and fuel consumption increased. The carburetor can be modified to compensate for this high altitude richness.

However, the carburetor must be returned to standard factory specifications when lower altitude riding is desired. See your Honda dealer for high altitude modification.

NOTICE

Sustained operation at altitudes below 5,000 feet (1,500 m) with high altitude carburetor modifications may cause engine overheating and damage.

Emission Control Systems

Exhaust Emission Requirements

The California Air Resources Board (CARB) requires that your motorcycle comply with applicable exhaust emissions standards during its useful life, when operated and maintained according to the instructions provided. (California only)

Noise Emission Requirements

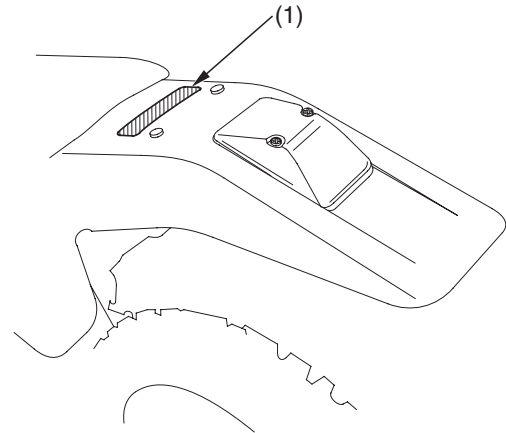
The EPA also requires that motorcycles built after January 1, 1983 comply with applicable noise emission standards for one year or 1,865 miles (3,000 km) after the time of sale to the ultimate purchaser, when operated and maintained according to the instructions provided. (USA only)

Warranty Compliance

Compliance with the terms of the Distributor's Warranties for Honda Motorcycle Emission Control Systems is necessary in order to keep

the emissions system warranty in effect. (USA only)

The Vehicle Emission Control Information Label (1) is attached to the rear fender.



(1) vehicle emission control information label

Emission Control Systems

Source of Emissions

The combustion process produces carbon monoxide (CO) and hydrocarbons (HC). Control of hydrocarbons is very important because under certain conditions, they react to form photochemical smog when subjected to sunlight. Carbon monoxide does not react in the same way, but it is toxic. Honda Motor Co., Ltd. utilizes lean carburetor settings and other systems to reduce carbon monoxide and hydrocarbons.

Exhaust Emission Control System (California only)

The exhaust emission control system is composed of lean carburetor settings, and no adjustments should be made except idle speed adjustment with the throttle stop screw. The exhaust emission control system is separate from the crankcase emission control system.

Crankcase Emission Control System (California only)

The engine is equipped with a closed crankcase system to prevent discharging crankcase emissions into the atmosphere. Blow-by gas is returned to the combustion chamber through the air cleaner and the carburetor.

Emission Control Systems

Noise Emission Control System

TAMPERING WITH THE NOISE CONTROL SYSTEM IS PROHIBITED: U. S. federal law prohibits, or Canadian provincial laws may prohibit the following acts or the causing thereof: (1) The removal or rendering inoperative by any person, other than for purposes of maintenance, repair or replacement, of any device or element of design incorporated into any new vehicle for the purpose of noise control prior to its sale or delivery to the ultimate purchaser or while it is in use; or (2) the use of the vehicle after such device or element of design has been removed or rendered inoperative by any person.

AMONG THOSE ACTS PRESUMED TO CONSTITUTE TAMPERING ARE THE ACTS LISTED BELOW:

1. Removal of, or puncturing the muffler, baffles, header pipes, or any other component which conducts exhaust gases.
2. Removal of, or puncturing of any part of the intake system.
3. Lack of proper maintenance.
4. Replacing any moving parts of the vehicle, or parts of the exhaust or intake system, with parts other than those specified by the manufacturer.

Emission Control Systems

Problems that May Affect Motorcycle Emissions

If you are aware of any of the following symptoms, have the vehicle inspected and repaired by your Honda Motorcycle Dealer:

1. Hard starting or stalling after starting
2. Rough idle
3. Misfiring or backfiring during acceleration
4. After-burning (backfiring)
5. Poor performance (driveability) and poor fuel economy

Oxygenated Fuels

Some conventional gasolines are being blended with alcohol or an ether compound. These gasolines are collectively referred to as oxygenated fuels. To meet clean air standards, some areas of the United States and Canada use oxygenated fuels to help reduce emissions.

If you use an oxygenated fuel, be sure it is unleaded and meets the minimum octane rating requirement.

Before using an oxygenated fuel, try to confirm the fuel's contents. Some states/provinces require this information to be posted on the pump.

The following are the EPA-approved percentages of oxygenates:

ETHANOL (ethyl or grain alcohol) 10% by Volume

You may use gasoline containing up to 10% ethanol by volume. Gasoline containing ethanol may be marketed under the name "Gasohol".

MTBE (Methyl Tertiary Butyl Ether) 15% by Volume

You may use gasoline containing up to 15% MTBE by volume.

METHANOL (methyl or wood alcohol) 5% by Volume

You may use gasoline containing methanol containing up to 5% methanol by volume as long as it contains cosolvents and corrosion inhibitors to protect the fuel system. Gasoline containing more than 5% methanol by volume may cause starting and/or performance problems. It may also damage metal, rubber, and plastic parts of your fuel system.

Oxygenated Fuels

If you notice any undesirable operating symptoms, try another service station or switch to another brand of gasoline.

Fuel system damage or performance problems resulting from the use of an oxygenated fuel containing more than the percentages of oxygenates mentioned above are not covered under warranty.

Oxygenated fuels can damage paint and plastic. Be careful not to spill fuel when filling the fuel tank. Wipe up any spills immediately.

NOTICE

Oxygenated fuels can damage paint and plastic. Damage caused by spilled fuel is not covered under warranty.

Consumer Information

This section contains information on your warranty and how to get an official Honda service manual.

Authorized Manuals.....	170
Warranty Coverage	173
Warranty Service.....	174
Contacting Honda	175
The Honda Rider's Club (USA only)	176
Your Honda Dealer	177

Authorized Manuals

The Service Manual (Publication Item No. 61KCE08) used by your authorized Honda dealer is available from Helm, Inc. (USA only, Canada: See your Honda dealer to order authorized manuals.)

Also available, but not necessary, to service your model is the Honda Common Service Manual (Publication No. 61CM001), which explains theory of operation and basic service information for various systems common to all Honda motorcycles, motor scooters and ATVs.

These Honda manuals are written for the professional technician, but most mechanically-capable owners should find them easy to use if they have the proper tools and observe proper safety standards. Special Honda tools are necessary for some procedures.

Publication Item No.	Description	Price Each*
61KCE08	2004 XR250R Service Manual	\$48.00
61CM001	Common Service Manual	\$48.00
31KCE680	2004 XR250R Owner's Manual	\$16.00
<i>* Prices are subject to change without notice and without incurring obligation.</i>		

Order On-Line: www.helminc.com

Order Toll Free: 1-888-CYCLE93 (1-888-292-5393)

(NOTE: For Credit Card Orders Only)

Monday — Friday 8:00 AM — 6:00 PM EST

OR

By completing this form you can order the materials desired. You can pay by check or money order, or charge to your credit card. Mail to Helm, Inc. at the address shown on the back of this order form (USA only).

Canada: See your Honda dealer to order authorized manuals.

Publication Item No.	Item Description	Qty.	Price Each*	Total Price
*Prices are subject to change without notice and without incurring obligation. Orders are mailed within 10 days. Please allow adequate time for delivery.	Sub Total			
	Mich. Purchasers Add 6 % Sales Tax			
	Handling Charge			\$4.00
	Grand Total			

Warranty Coverage

Your new Honda is covered by these warranties:

- Motorcycle Limited Warranty
- Noise Control Warranty (USA only)

There are responsibilities, restrictions, and exclusions which apply to these warranties. Please read the Honda Motorcycle Warranties Booklet given to you by your Honda dealer at the time of purchase. Be sure to keep your Honda owner's card (USA only) with your Warranties Booklet.

It is important to realize that your warranty for your Honda applies to defects in material or factory workmanship. Your warranty coverage does not apply to normal wear or deterioration associated with using the motorcycle.

Your warranty coverage will not be voided if you choose to perform your own maintenance. However, you should have the proper tools and service information and be mechanically qualified. Failures that occur due directly to improper maintenance or lack of maintenance are not covered.

Almost all of your warranty coverage can be extended through the Honda Protection Plan (USA only). For more information, see your Honda dealer.

Warranty Service

Please remember that recommended maintenance interval servicing is not included in your warranty coverage. Additionally, your warranty does not apply to the normal wear of items (such as brakes, tires, etc.).

If you believe you have a problem with your Honda, call the service department of your Honda dealer. Make an appointment for an inspection and diagnosis. Remember, as the owner of the motorcycle, you will be asked to authorize that inspection. Your dealer will give you the results of the inspection. If the problem is covered under warranty, your dealer will perform the warranty repairs for you.

If you have questions about warranty coverage or the nature of the repair, it is best to talk to the service manager of your Honda dealer.

Sometimes, in spite of the best intentions of all concerned, a misunderstanding may occur. If you aren't satisfied with your dealer's handling of the situation, we suggest you discuss your problem with the appropriate member of the dealership's management team. If the problem has already been reviewed with the Service Manager, Parts Manager, Sales Manager, etc., contact the Owner of the dealership or his designated representative.

Contacting Honda

Your owner's manual was written to cover most of the questions you might ask about your Honda. Any questions not answered in the owner's manual can be answered by your Honda dealer. If he doesn't have the answer right away, he will get it for you.

If you have a difference of opinion with your dealer, please remember that each dealership is independently owned and operated. That's why it's important to work to resolve any differences at the dealership level.

If you wish to comment on your experiences with your Honda or with your dealer, please send your comments to the following address (USA only):

Motorcycle Division, American Honda Motor Co., Inc., P.O. Box 2220, Torrance, CA 90509-2220, mailstop: 100-4W-5B, telephone: (310) 532-9811.

Canada: Refer to the warranty booklet that was supplied with your vehicle.

Please include the following information in your letter:

- name, address, and telephone number
- product model, year, and frame/VIN serial number
- date of purchase
- dealer name and address

We will likely ask your Honda dealer to respond, or possibly acknowledge your comments directly.

The Honda Rider's Club (USA only)

One of the best ways to get the most enjoyment from owning and riding your Honda is to join the Honda Rider's Club of America (HRCA). Your purchase of a new motorcycle, scooter or ATV from a participating Honda dealer entitles you to a complimentary one-year membership. The HRCA has hundreds of dealer-sponsored chapters throughout the USA. Some of the HRCA membership benefits include:

- 24-hr. emergency roadside assistance for your Honda or transport vehicle.
- Transportation for your Honda or transport vehicle to the nearest Honda dealer or service facility if roadside assistance can't get you going again.
- Reimbursement (to \$75) for motorcycle and scooter rider training from the Motorcycle Safety Foundation. Free ATV rider training is available from the Specialty Vehicle Institute of America with the purchase of a new Honda ATV.

- A subscription to *Honda Red Rider*, a bi-monthly insider's magazine for all members.
- Special members-only HRCA website.
- Discounts from HRCA partners for both on and off-road riding schools and adventure packages.
- Hospitality at national events.
- Optional insurance, club pin, patch, etc.
- Red Rider (MX) contingency and off-road support at selected events.
- Computerized trip routing, color maps, and special travel packages.

Contact your Honda dealer for more information or call: 1-800-847-HRCA. For a complete list of all HRCA benefits and services, refer to your HRCA membership benefits manual or visit our website at www.honda.com.

Your Honda Dealer

Once you purchase your new Honda, get familiar with the organization of your Honda dealer so you can utilize the full range of services available.

The service department is there to perform regular maintenance and unexpected repairs. It has the latest available service information from Honda. The service department will also handle warranty inspections and repairs.

The parts department offers Genuine Honda parts, Pro Honda products, Hondaline accessories (USA only), and Honda accessories and products (Canada only). The same quality that went into your Honda can be found in Genuine Honda replacement parts. You'll also find comparable quality in the accessories and products available from the parts department.

The sales department offers the Honda Care Protection Plan to extend almost all of your warranty coverage (USA only).

Your dealer can inform you about competition and other riding events in your area. You'll also find that your dealer is a source of information (USA only) about American Honda's Rider Education Centers and the Honda Rider's Club of America.

We're sure you'll be as pleased with the service your Honda dealer continues to provide after the sale as you are with the quality and dependability of your Honda.

Table of Contents

The following presents the contents of each section of your owner's manual.

MOTORCYCLE SAFETY	1
Important Safety Information	2
Loading, Accessories & Modifications	5
Loading	5
Accessories & Modifications.....	7
Safety Labels.....	9
OPERATING CONTROLS.....	11
Component Locations	12
Fuel Valve	15
Choke Lever	16
Engine Stop Button	17
Front Brake Lever	17
Throttle	17
Clutch Lever.....	17
Shift Lever	18
Rear Brake Pedal.....	18
Kickstarter	18
Starter Decompressor Lever	18

Side Stand	19
Tripmeter.....	19
BEFORE RIDING	21
Are You Ready to Ride?.....	22
Protective Apparel	22
Is Your Motorcycle Ready to Ride?	24
Pre-ride Inspection	24

Table of Contents

BASIC OPERATION & RIDING.....	27	SERVICING YOUR HONDA.....	41
Safe Riding Precautions.....	28	<i>Before You Service Your Honda</i>	
Starting & Stopping the Engine.....	29	The Importance of Maintenance.....	43
Preparation	29	Maintenance Safety.....	45
Starting Procedure.....	29	Important Safety Precautions.....	45
Starter Decompressor Lever	32	Maintenance Schedule	47
Flooded Engine	33	Maintenance Record	51
How to Stop the Engine.....	34	Competition Inspection.....	52
Shifting Gears	35	<i>Service Preparations</i>	
Braking.....	37	Component Locations.....	55
Parking	39	Tools.....	57
Post-ride Inspection	40	Side Cover Removal	58
		Air Cleaner Housing Cover Removal.....	59
		Seat Removal	60

(cont'd)

Table of Contents

SERVICING YOUR HONDA (cont'd)

Service Procedures

Fluids & Filters

Fuel.....	61
Engine Oil.....	64
Air Cleaner.....	73
Crankcase Breather.....	76

Engine

Throttle.....	77
Clutch System.....	80
Engine Idle Speed.....	83
Spark Plug.....	84
Spark Arrester.....	86

Chassis

Suspension.....	88
Brakes.....	105
Wheels.....	110
Tires & Tubes.....	117
Side Stand.....	121
Drive Chain.....	122
Headlight & Taillight.....	129

Appearance Care.....	131
----------------------	-----

TIPS.....135

Preparing for a Ride.....	136
Transporting Your Honda.....	138
Storing Your Honda.....	140
You & the Environment.....	143

Table of Contents

TAKING CARE OF THE UNEXPECTED.....	145
General Guidelines.....	146
If Your Engine Quits or Won't Start.....	147
If You Have a Flat Tire.....	148
If You Crash.....	149
If a Component Fails.....	150
TECHNICAL INFORMATION.....	153
Vehicle Identification.....	154
Specifications.....	156
Break-in Guidelines.....	161
High Altitude Carburetor Adjustment.....	162
Emission Control Systems.....	163
Oxygenated Fuels.....	167

CONSUMER INFORMATION.....	169
Authorized Manuals.....	170
Warranty Coverage.....	173
Warranty Service.....	174
Contacting Honda.....	175
The Honda Rider's Club (USA only).....	176
Your Honda Dealer.....	177
TABLE OF CONTENTS.....	178
INDEX.....	182
QUICK REFERENCE	

Index

A

accessories	7
air cleaner	73
air pressure, front suspension	92
tires	117
altering your motorcycle	8
arrester, spark	86
authorized manuals	170

B

brakes, fluid level	106
lever, front	17
lever, front adjustment	105
pad wear	108
pedal, rear	18
braking	37

break-in guidelines	161
button, engine stop	17

C

capacity, fuel	62
carburetor, high altitude carburetor adjustment	162
idle speed	83
choke lever	16
cleaner, air	73
cleaning, appearance care	131
clutch system, adjustment	80
lever	17
color label	155
competition inspection	52
consumer information	169
controls, operating	11

cover removal,	
side	58
air cleaner housing	59
crankcase breather	76
customer service.....	175

D

damping adjustments	95, 103
decompressor lever	18, 32
drive chain.....	122

E

education, rider	3, 177
emission control systems	163
engine number.....	154
engine,	
flooded	33
idle speed.....	83

pinging	61
starting.....	29
stop button.....	17
stopping.....	34
won't start	147
environment, protecting	143
exhaust pipe maintenance	133

F

filter,	
air.....	73
oil.....	68
flat tire	148
flooded engine, starting	33
fork.....	88, 91
frame number	154
front brake lever adjustment	105
front suspension maintenance.....	88
front wheel removal	112

Index

fuel,	
recommendation.....	61
oxygenated	167
tank capacity	62
valve	15

G

gap, spark plug	84
gasohol	167
gasoline	61
gears, shifting.....	35

H

headlight.....	129
high altitude carburetor adjustment	162
Honda, contacting	175
Honda service manual.....	170

I

idle speed, engine.....	83
inspection,	
competition	52
post-ride	40
pre-ride	24

K

kickstarter.....	18
------------------	----

L

lever,	
clutch.....	17
front brake.....	17
shift	18
starter decompressor	18, 32

limit, weight	6
loading.....	5

M

maintenance,	
record	51
safety	45
schedule.....	47
manual, service.....	170
modifications	8

O

oil,	
engine	64
volume (fork)	93
operating controls.....	11
oxygenated fuels	167

P

pad, brake	108
parking	39
pedal, rear brake	18
pinging, engine.....	61
plug, spark	84
post-ride inspection	40
pre-ride inspection.....	24
pre-load, rear suspension	98

R

rear suspension maintenance.....	89
reserve capacity, fuel tank	62
rider training.....	3, 177

Index

riding,	
basic operation	27
before	21
clothing.....	22
precautions	28
safety	2
rim lock	111

S

schedule, maintenance	47
seat, removal	60
service,	
customer	175
manuals	170
warranty	174
shifting gears.....	35
side cover, removal	58
side stand.....	19, 121
spark arrester	86
spark knock	61

spark plug	84
specifications	156
spring pre-load, rear suspension	98
stand, side.....	19, 121
starter decompressor lever	18, 32
starting, engine	29
stop button, engine.....	17
stopping engine	34
storage	140
suspension,	
front.....	88, 91
rear	89, 96

T

taillight	130
throttle	
freeplay	77
operation.....	17
tires,	
air pressure	117
flat	148
replacing.....	119
tools	57
towing.....	36
training, rider.....	3, 177
transporting	138
tripmeter	19
troubleshooting, starting	147

V

valve, fuel.....	15
vehicle identification	154

W

warranty,	
coverage	173
extended	173
service	174
washing your motorcycle.....	132
weight limit	6
wheels.....	110

Quick Reference

The following is a brief, but important collection of information you need to know about your Honda. You'll also find space to record important notes.

How To Avoid Costly Repairs

The engine of your Honda can be the most expensive component to repair. Proper maintenance, especially the use of the recommended fluids and filters, prevents premature wear and damage.

Frequent causes of costly engine repairs are:

- Engine oil: insufficient quantity, improper oil.
- Air cleaner: dirty, leaking because of improper installation (poor seal).

Quick Reference

Record important information here:

Frame No.	
Engine No.	
Color Label	
Owner's:	
Name	
Address	
City/State	
Phone	
Dealer's:	
Name	
Address	
City/State	
Phone	
Service Mgr.	

Quick Reference

Initial Maintenance	about 100 miles (150 km) or one month.
Regular Maintenance	about every 600 miles (1,000 km) or six months.
Pre-ride Inspection	Check the following items each time before you ride (page 24): tires, spokes & rims, leaks, engine oil, fuel, drive chain, cables, nuts & bolts, spark plug and cap, throttle, brakes, clutch lever, headlight.
Fuel/Capacity	unleaded gasoline, pump octane number of 92 or higher tank: 2.38 US gal (9.0 ℓ) reserve: 0.53 US gal (2.0 ℓ)
Engine Oil	API Service Classification SG or higher except oils labeled as energy conserving on the circular API service label, SAE 20W-50, 10W-40 (when outside temperature is below 0°C, 32°F), JASO T 903 standard MA, Pro Honda GN4 or HP4 (without molybdenum additives) 4-stroke oil or equivalent
Maximum Weight Capacity	220 lbs (100 kg) rider only (no passenger or cargo) and any accessories
Tires	Front: 80/100-21M/C 51M Rear: 100/100-18M/C 59M
Tire Pressure (cold)	Front: 15 psi (100 kPa , 1.0 kgf/cm ²) Rear: 15 psi (100 kPa , 1.0 kgf/cm ²)
Spark Plug	CR9EH-9 (NGK) or U27FER9 (DENSO)
Drive Chain	D.I.D. 520VC5 or RK 520MOZ9

Quick Reference